

# Spritzschutz one

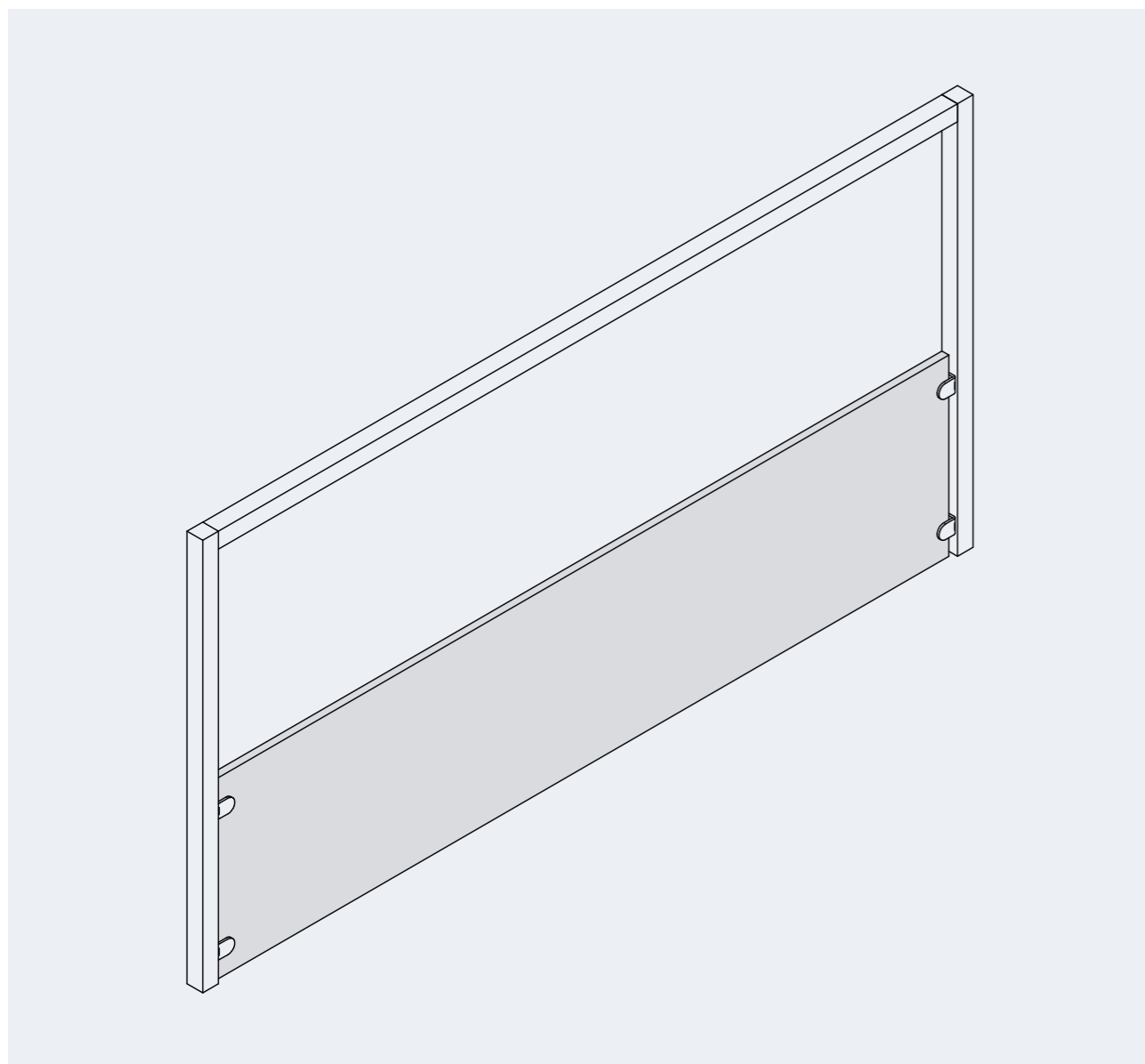
## Spraying protection one



- Aluminium Rahmen 18x18 mm pulverbeschichtet schwarz matt struktur
- Höhe 450 mm, passend für Rastermaße 600, 900, 1.200 mm
- passend für ESG Glasplatte 200x8 mm (optional erhältlich)
- Einhänger aus Stahlblech pulverbeschichtet schwarz matt struktur
- Passend zu unseren Regalsystemen one, two und three und Nischensystem one
- weitere Abmessungen auf Anfrage

- Aluminum frame 18x18 mm powder coated black matt structure
- Height 450mm, width suitable for grid dimensions 600, 900, 1.200 mm
- suitable to tempered glass plates 200x8 mm (optionally available)
- Hangers made of steel sheet powder coated black matt structure
- Suitable to our shelving system

# Spritzschutz one Spraying protection one

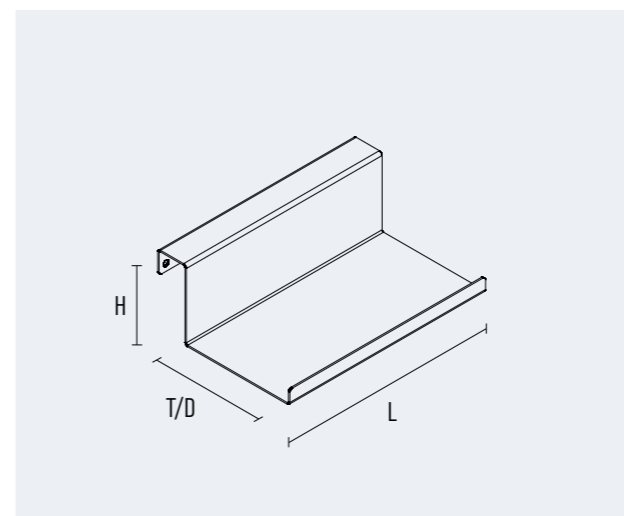


Abmessung Measurement	Art. No. Art. No.
<b>Spritzschutz one Spraying protection one</b>	
586x450x18 mm	<b>55.450.13-600</b>
886x450x18 mm	<b>55.450.13-900</b>
1186x450x18 mm	<b>55.450.13-1200</b>
<b>passende ESG Glasplatte suitable tempered glass plate</b>	
540x200x8 mm	<b>24.308.75-540</b>
840x200x8 mm	<b>24.308.75-840</b>
1140x200x8 mm	<b>24.308.75-1140</b>

Profile Aluminium 18x18 mm  
 — pulverbeschichtet schwarz matt struktur  
 — Andere Abmessungen auf Anfrage

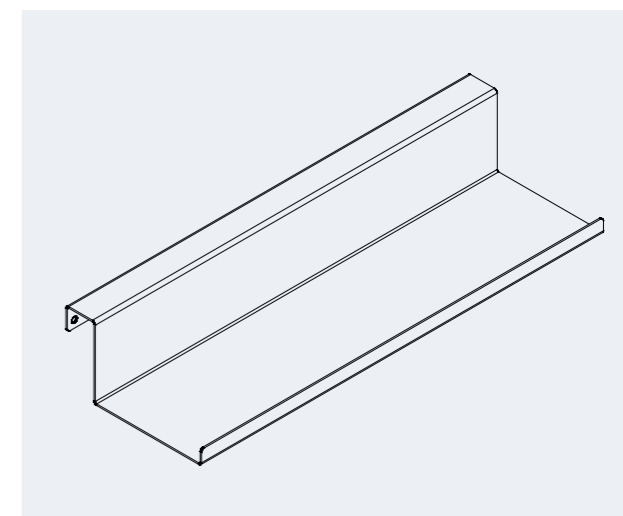
Profiles aluminium 18x18 mm  
 — powder coated black matt structure  
 — Other measurements on demand

## Ablage kurz Tray short



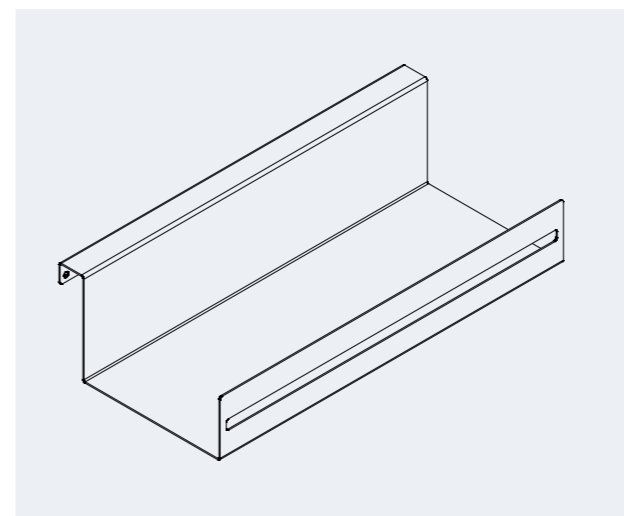
Abmessung (LxHxT) Measurement (LxHxD)	Art. No. Art. No.
140x50x75 mm	<b>55.410.13</b>

## Ablage lang Tray long



Abmessung Measurement	Art. No. Art. No.
280x50x75 mm	<b>55.411.13</b>

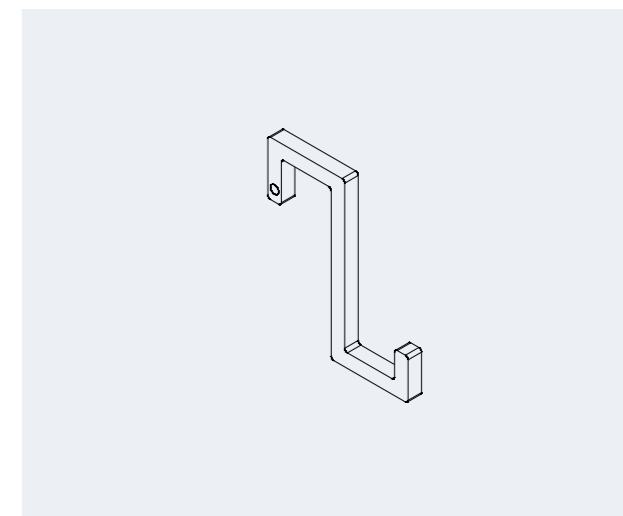
## Rollenhalter Roll holder



Abmessung Measurement	Art. No. Art. No.
280x45/75x110 mm	<b>55.414.13</b>

Alle Teile Stahlblech  
 — pulverbeschichtet schwarz matt struktur

## Haken (2er Set) Hook (set of 2)



Abmessung Measurement	Art. No. Art. No.
5x60x28 mm	<b>55.415.13</b>

All elements steel sheet  
 — powder coated black matt structure