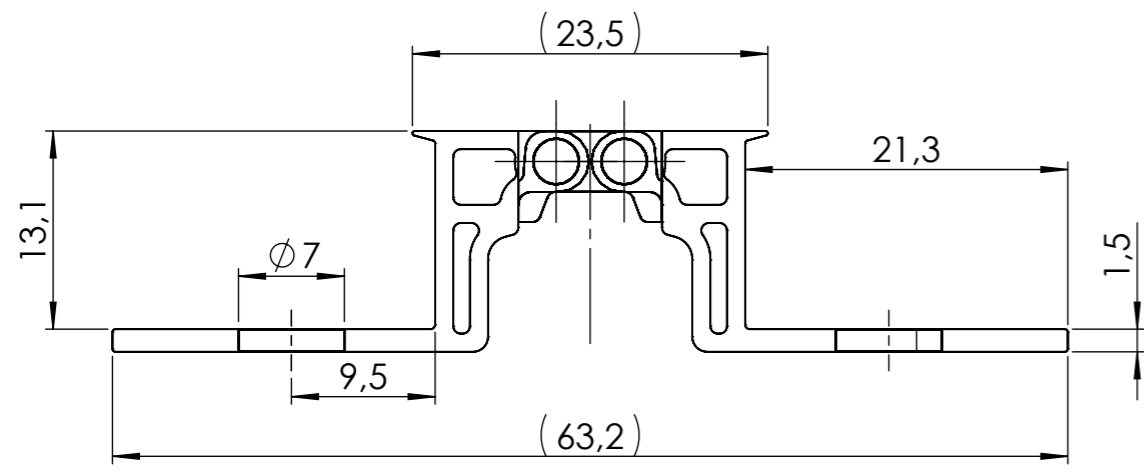
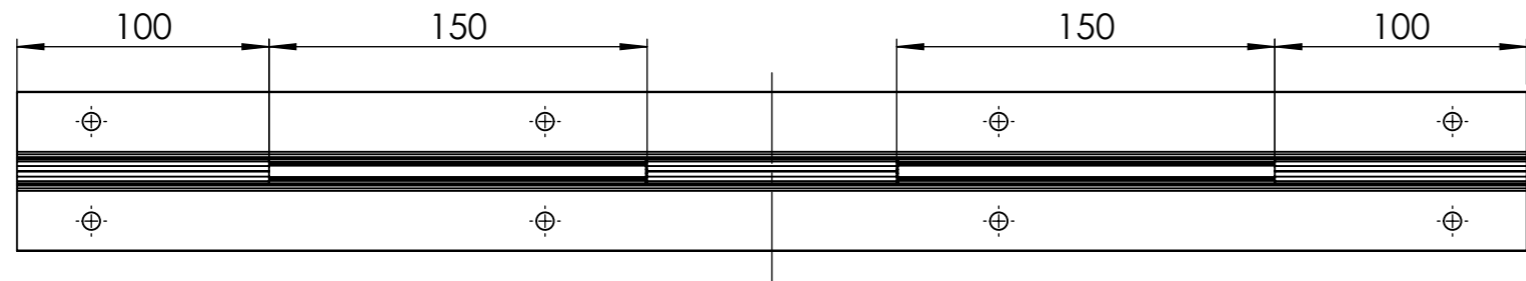
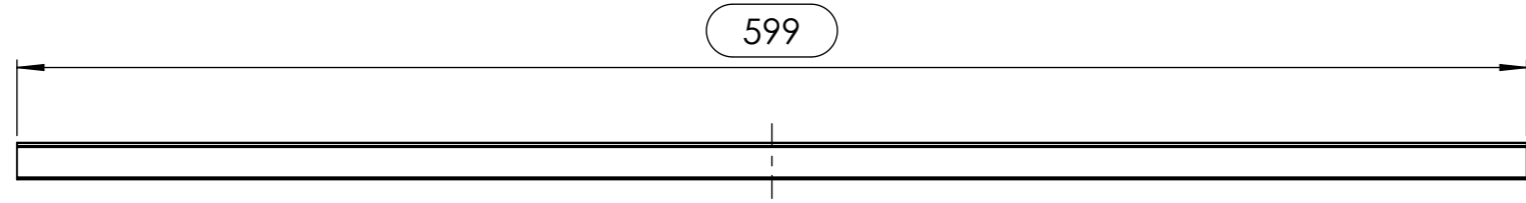
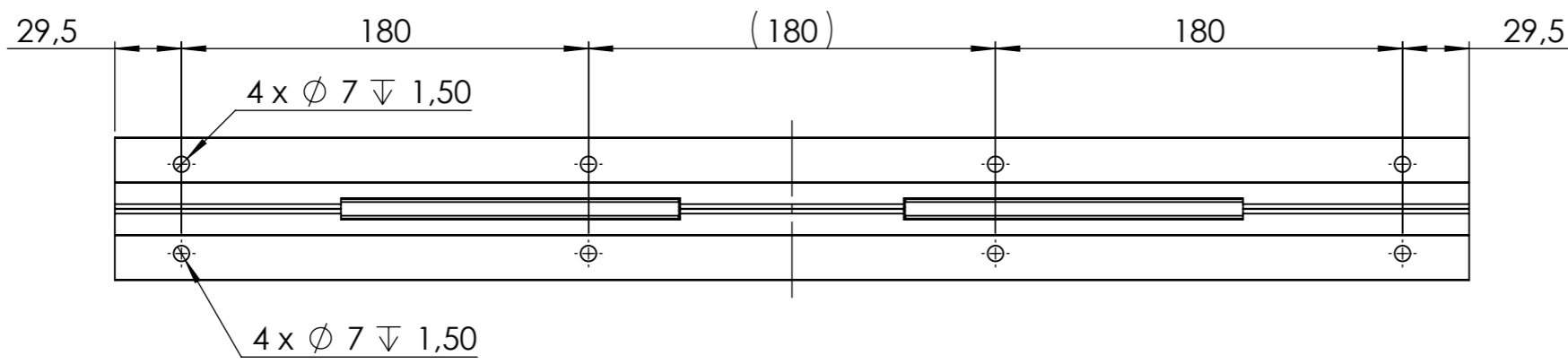


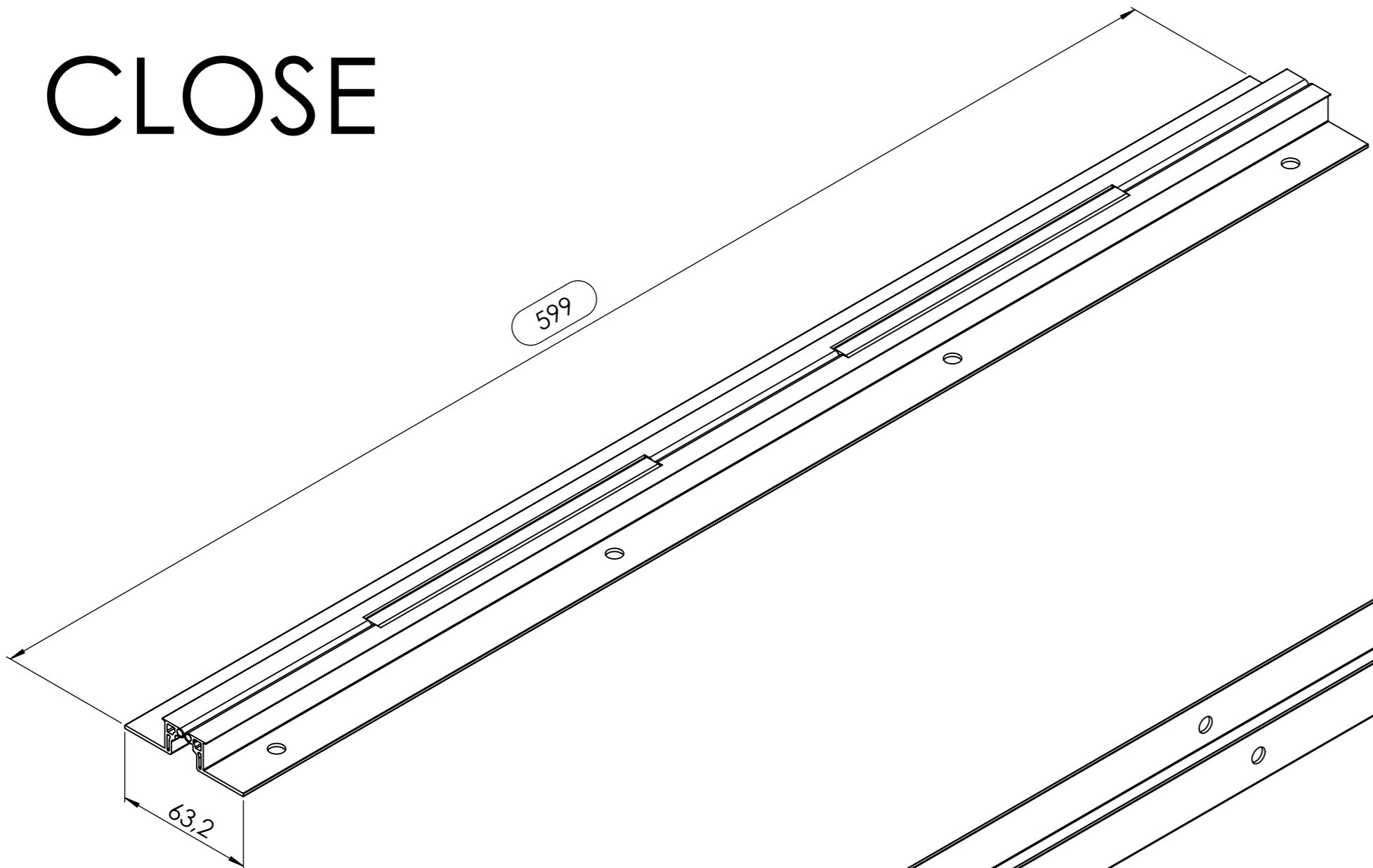
All property rights and rights to exploitation of copyright for this drawing data remain ours; they may not be made available to third parties without our consent.



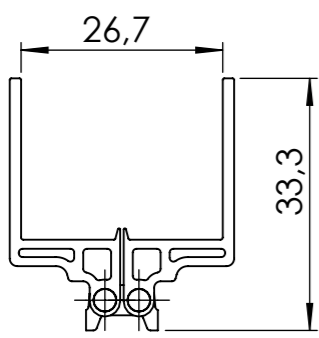
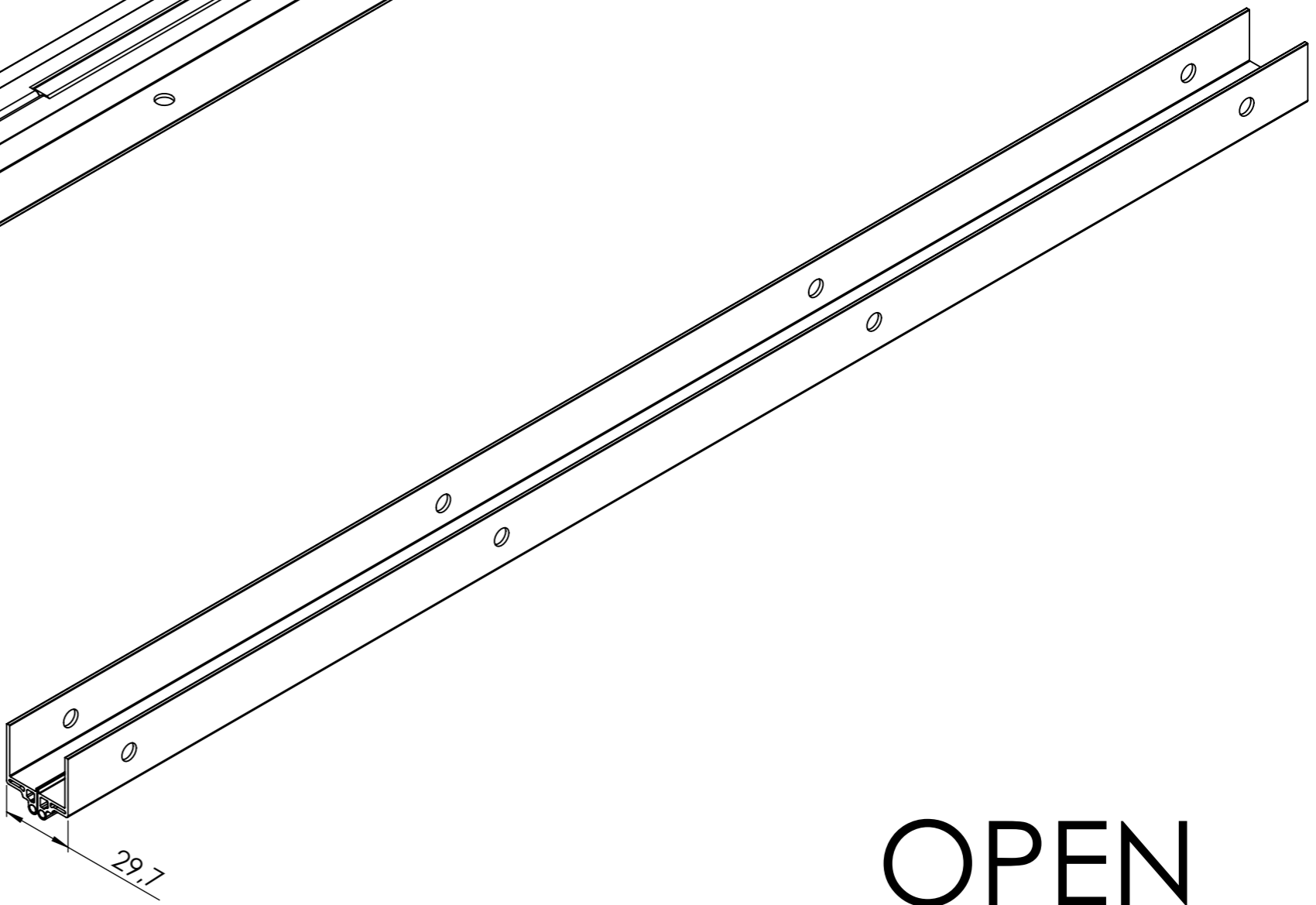
a	Artikelbez. nach neuer AV Vorgabe geändert	14.12.2017	PVD
Index	Change	Date	Name
	Description: 180°Alu-Stangenscharnier/12x599/8xØ7		
DIN ISO 128-30	Surface:	Material: diverse	Weight: 0.35 kg
 Transforming furniture	Name	Date	Company
	Signed	D. Carrera	01.06.2015
	Tested	P. Vandyck	14.12.2017
General tolerance: DIN ISO 2768 - m		Item No: 23060901	Scale 1:3 Page 1/3 A3

All property rights and rights to exploitation of copyright for this drawing data remain ours; they may not be made available to third parties without our consent.

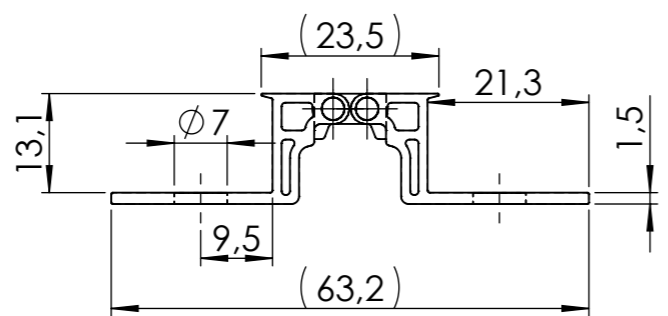
CLOSE



OPEN



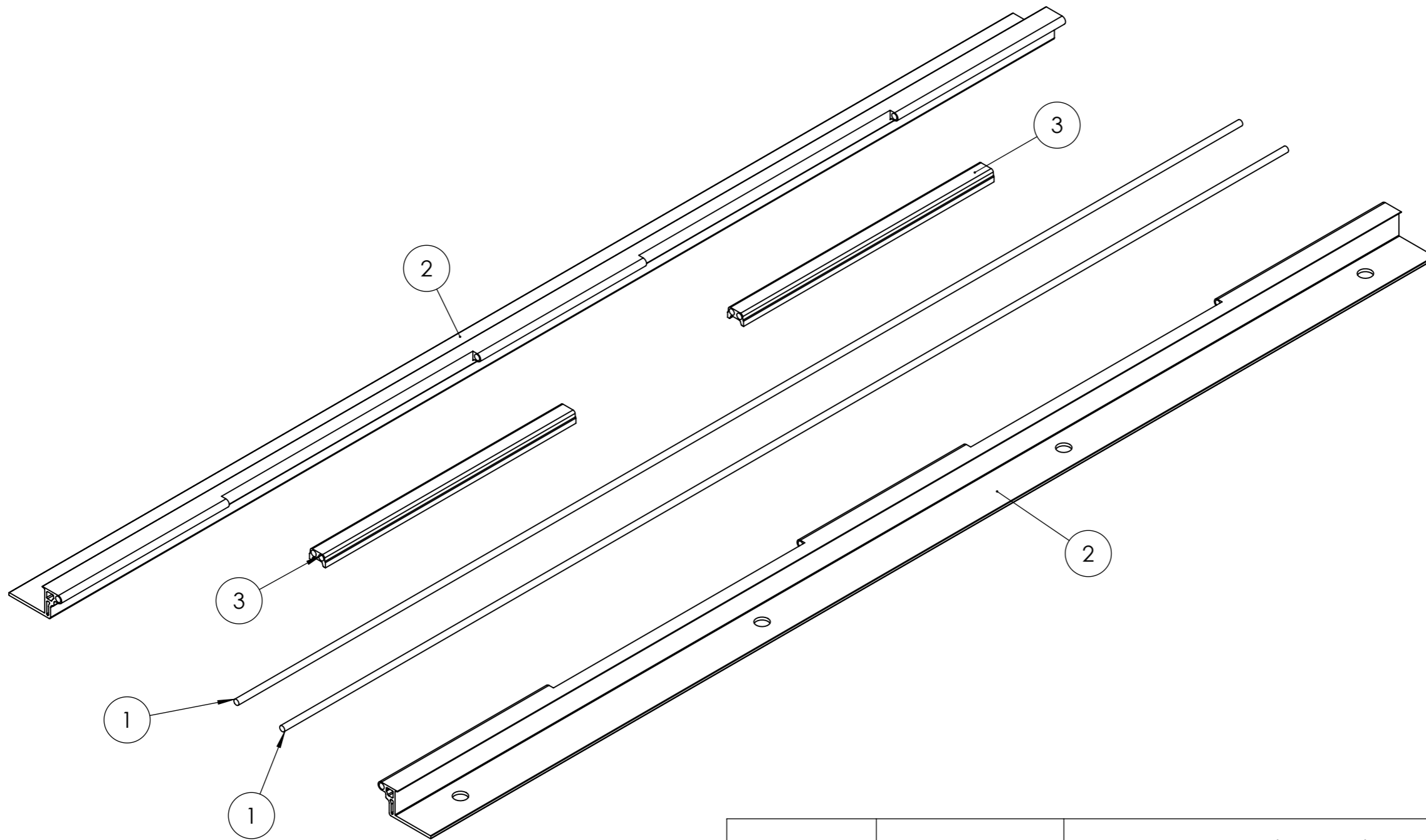
CLOSE



OPEN

 DIN ISO 128-30	Description: 180°Alu-Stangenscharnier/12x599/8xØ7					
	Surface:		Material: diverse		Weight: 0.35 kg	
PÖTTKER Transforming furniture	Name	Date	Company			
	Signed	D. Carrera	01.06.2015	Second Company: ---		
Tested	P. Vandyck	14.12.2017				
General tolerance: DIN ISO 2768 - m		Item No:	23060901	Scale 1:2	Page 2/3	A3

All property rights and rights to exploitation of copyright for this drawing data remain ours; they may not be made available to third parties without our consent.



POS.	Item.No	Artikelbezeichnung	Menge
1	23060903	Stift/180°Alu-Stangenscharn./Ø3x599/A2	2
2	23060902	Auflage/180°Alu-Stangenscharn./12x599/4xØ7	2
3	23014905	Alu-Mittelstück/180°Alu-Stangenscharn./149,5	2

 DIN ISO 128-30	Description: 180°Alu-Stangenscharnier/12x599/8xØ7		
	Surface:	Material: diverse	Weight: 0.35 kg
PÖTTKER Transforming furniture	Name	Date	Company
	Signed	D. Carrera	01.06.2015
	Tested	P. Vandyck	14.12.2017
Second Company: ---			
General tolerance: DIN ISO 2768 - m		Item No: 23060901	Scale 1:2 Page 3/3 A3