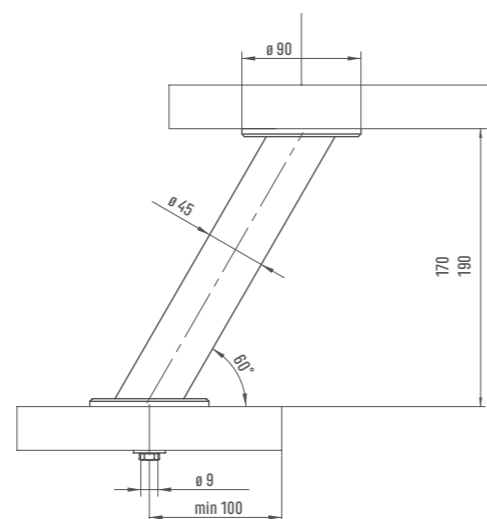


# Barkonsole Bari Bar console Bari

- $\varnothing$  45 mm
- Neigung 30°
- Glasmontage mit Glasklebeadapter

- Tube dimension:  $\varnothing$  45 mm
- Tilting 30°
- Glass assembly by glass glueing adaptor



Bari		Bari		Ausführung		Art. No.	
Bari		Bari		Type		Art. No.	
Höhe	170 mm	210 mm					
Height	170 mm	210 mm					
Stahl, matt verchromt	20.003.10-170	24.321.10		Adapterscheibe*, matt verchromt	24.310.20		
Steel, matt chrome plated				Washer disc, matt chrome plated			
Stahl, hochglanzverchromt	20.003.12-170	24.321.12		Adapterscheibe*, hochglanzverchromt	24.310.22		
Steel, high polish chrome plated				Washer disc, high polish chrome plated			
Edelstahl	20.003.15-170	24.321.15		Adapterscheibe*, Edelstahl	24.310.25		
Stainless Steel				Washer disc, stainless steel			

\* Höhe + 12 mm // Height + 12 mm

