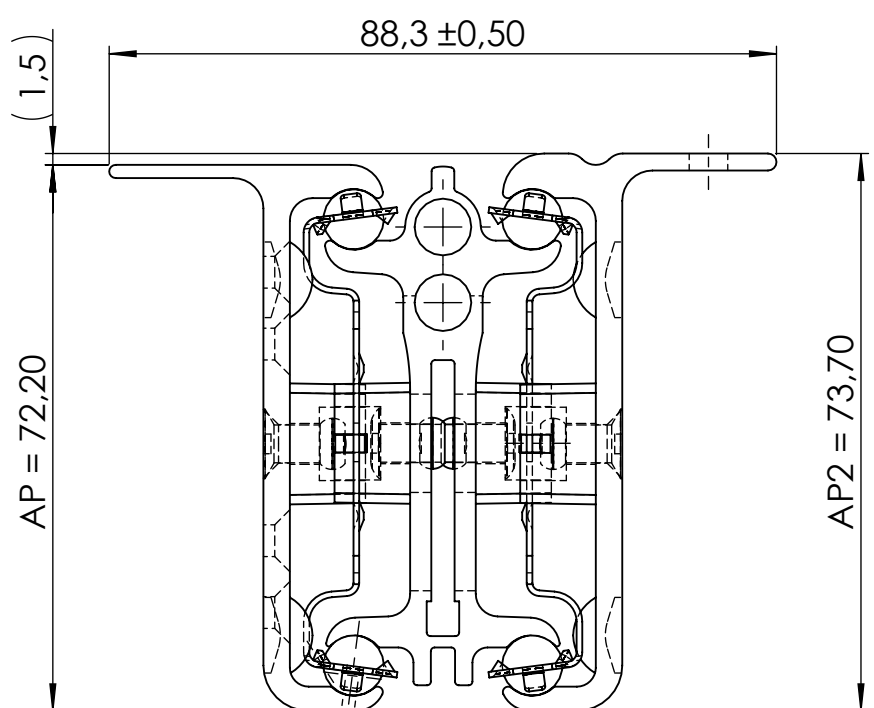
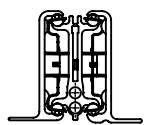
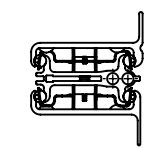
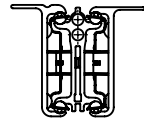
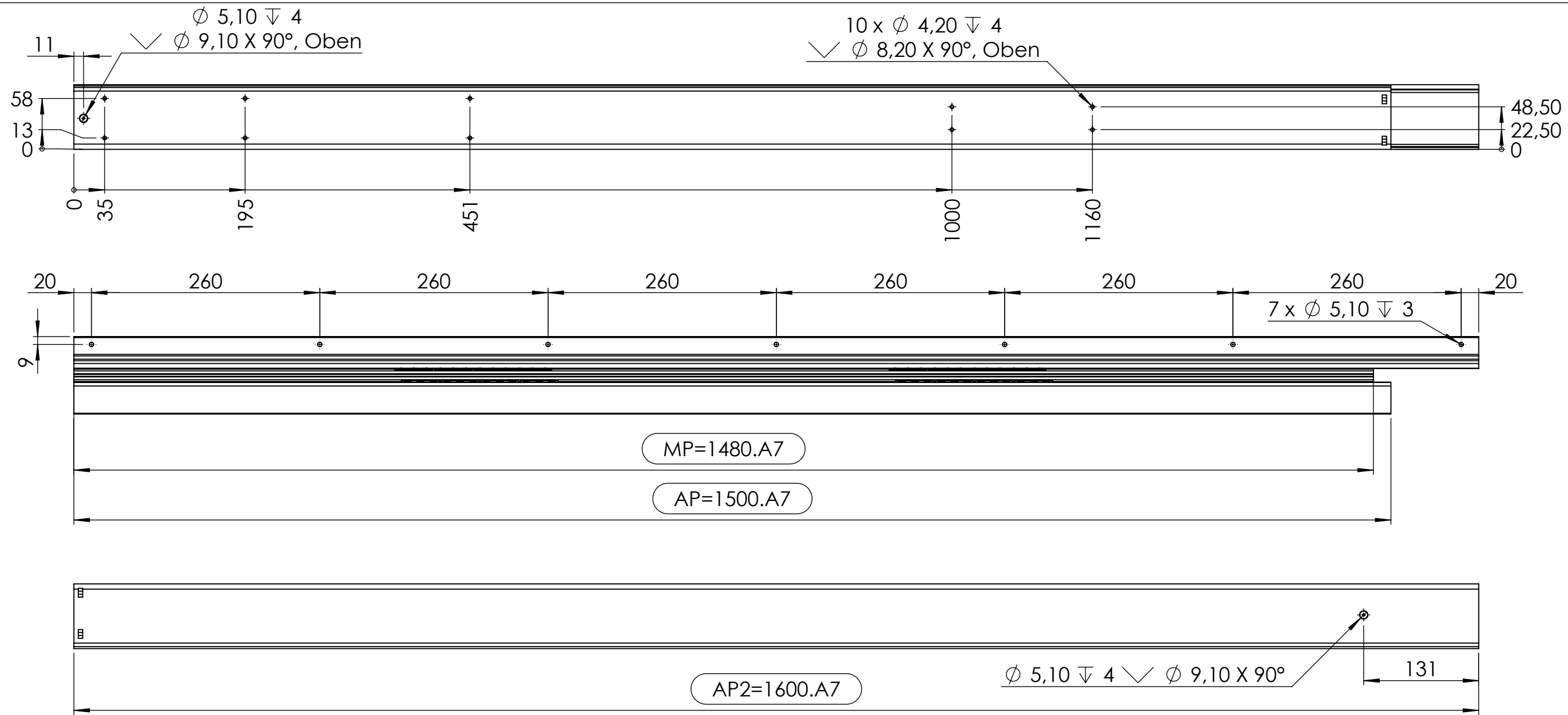
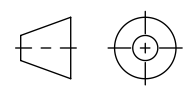


All property rights and rights to exploitation of copyright for this drawing data remain ours; they may not be made available to third parties without our consent.



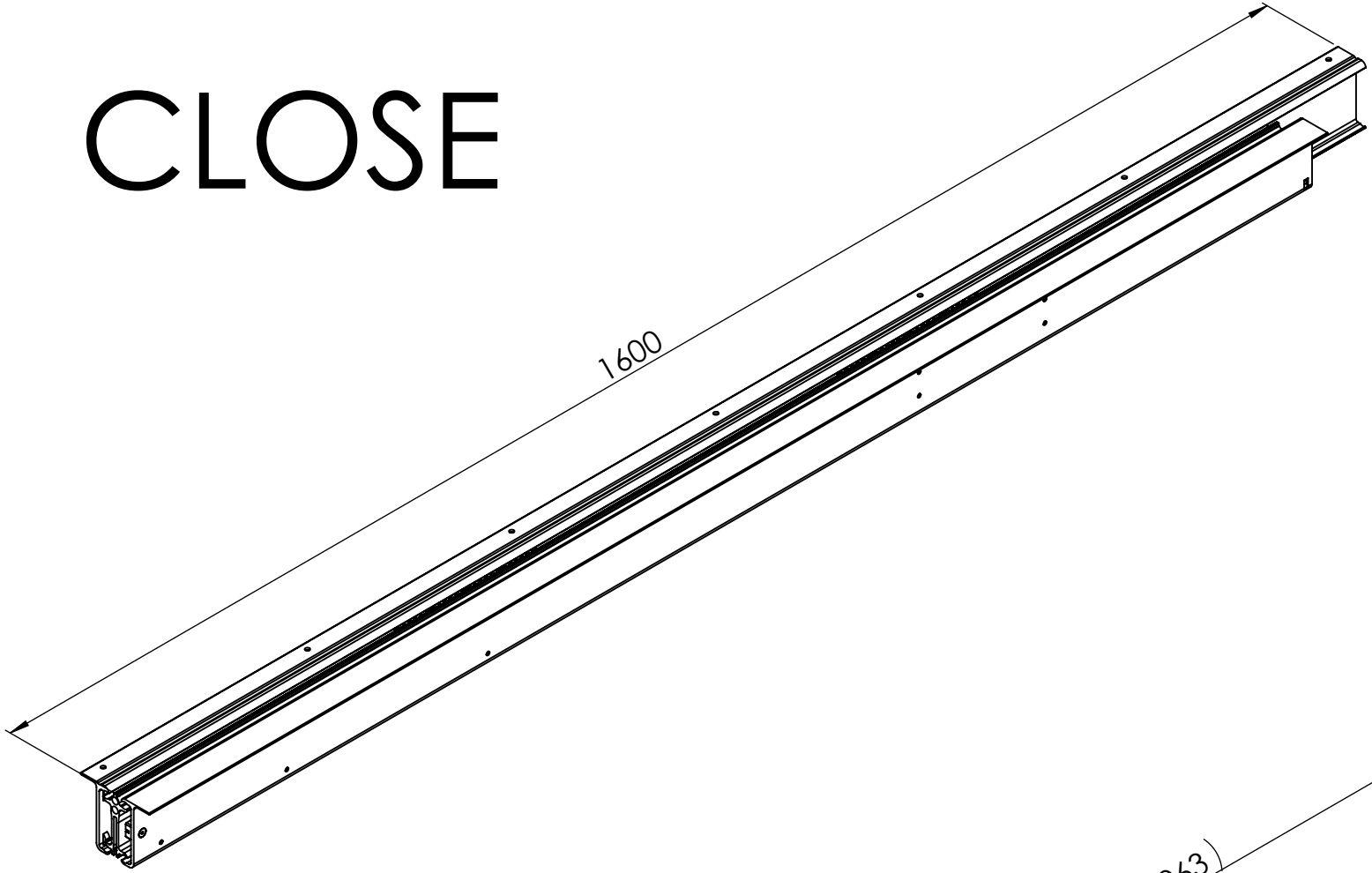
M 1:1

way of travel: ca. **1463** mm

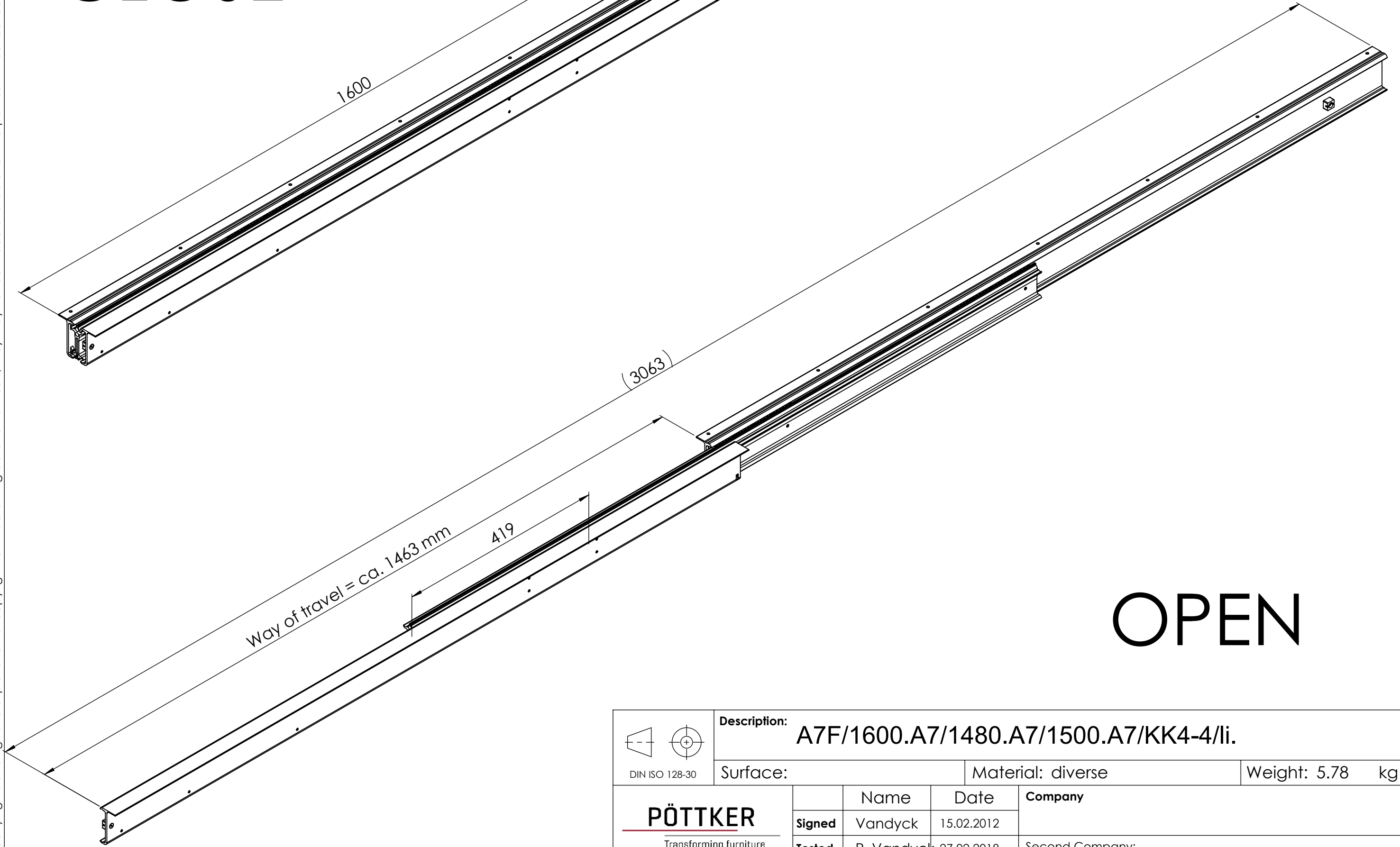
Index	Change			Date	Name
 DIN ISO 128-30	Description: A7F/1600.A7/1480.A7/1500.A7/KK4-4/li.				
	Surface:		Material: diverse		Weight: 5.78 kg
PÖTTKER Transforming furniture	Name	Date	Company		
	Signed	Vandyck	15.02.2012		
	Tested	P. Vandyck	27.02.2018	Second Company:	
General tolerance: DIN ISO 2768 - m		Item No: 77160709	Scale 1:5	Page 1/6	A3

All property rights and rights to exploitation of copyright for this drawing data remain ours; they may not be made available to third parties without our consent.

CLOSE

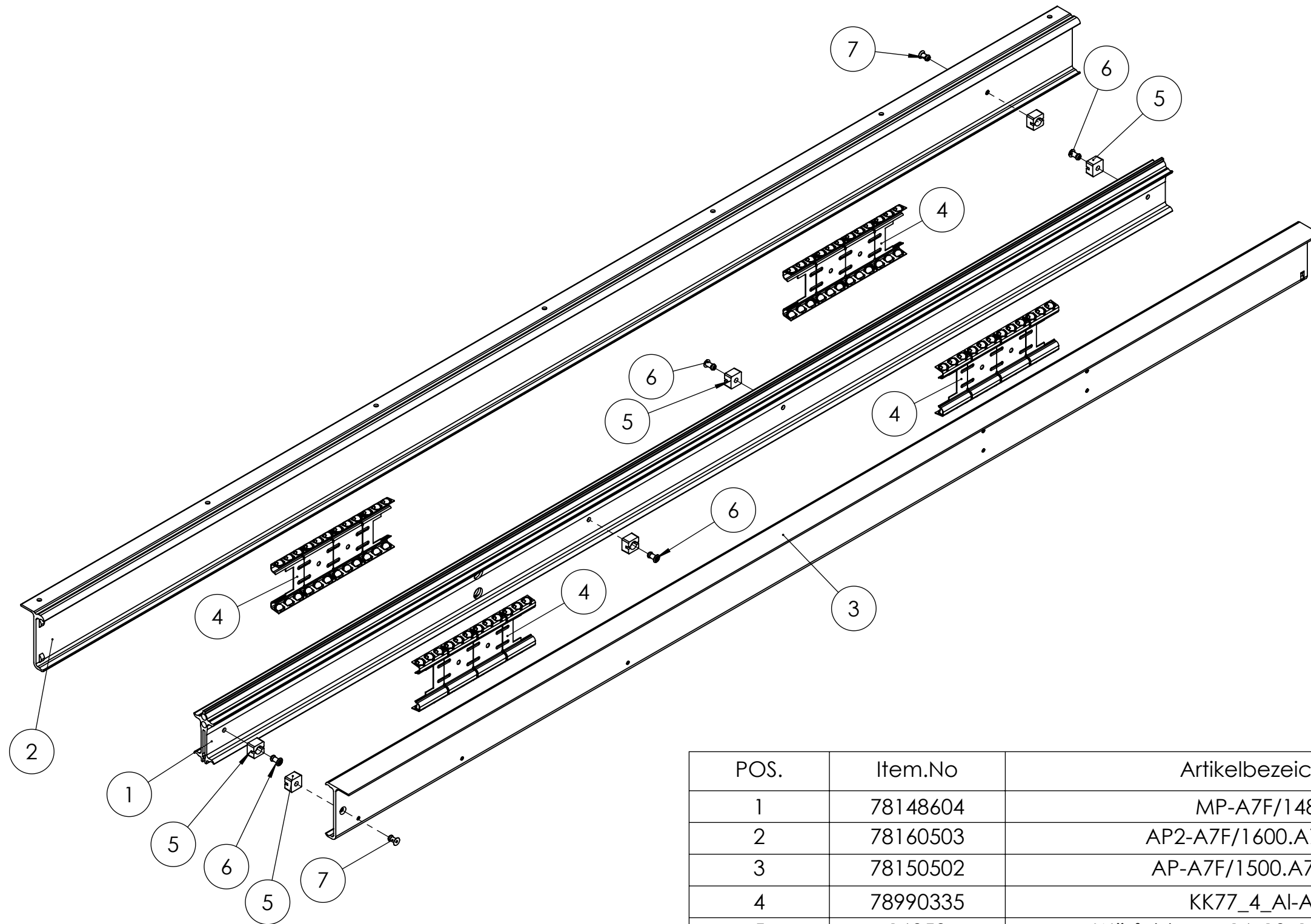


OPEN

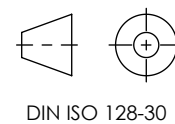


<p>DIN ISO 128-30</p>	Description: A7F/1600.A7/1480.A7/1500.A7/KK4-4/li.					
	Surface:		Material: diverse		Weight: 5.78 kg	
<p>PÖTTKER Transforming furniture</p>		Name	Date	Company		
	Signed	Vandyck	15.02.2012			
	Tested	P. Vandyck	27.02.2018	Second Company:		
General tolerance: DIN ISO 2768 - m		Item No: 77160709		Scale 1:6	Page 2/6	A3

All property rights and rights to exploitation of copyright for this drawing data remain ours; they may not be made available to third parties without our consent.



POS.	Item.No	Artikelbezeichnung	MENGE
1	78148604	MP-A7F/1480.A7	1
2	78160503	AP2-A7F/1600.A7/Typ01/li.	1
3	78150502	AP-A7F/1500.A7/Typ01/li.	1
4	78990335	KK77_4_Al-Al_Elox	4
5	16053	Würfelstopp, 16x10x16/PA6.6-Plustek	6
6	15183	Blindniet Flachrundkopf, Ø5x18-AL/St.(12,0-14,0)	4
7	15501	Blindniet Senkkopf, Ø5x12-AL/St.(6,0-8,0)	2



DIN ISO 128-30

Description:

A7F/1600.A7/1480.A7/1500.A7/KK4-4/li.

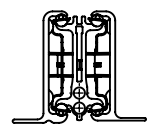
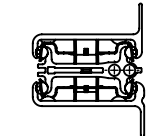
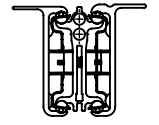
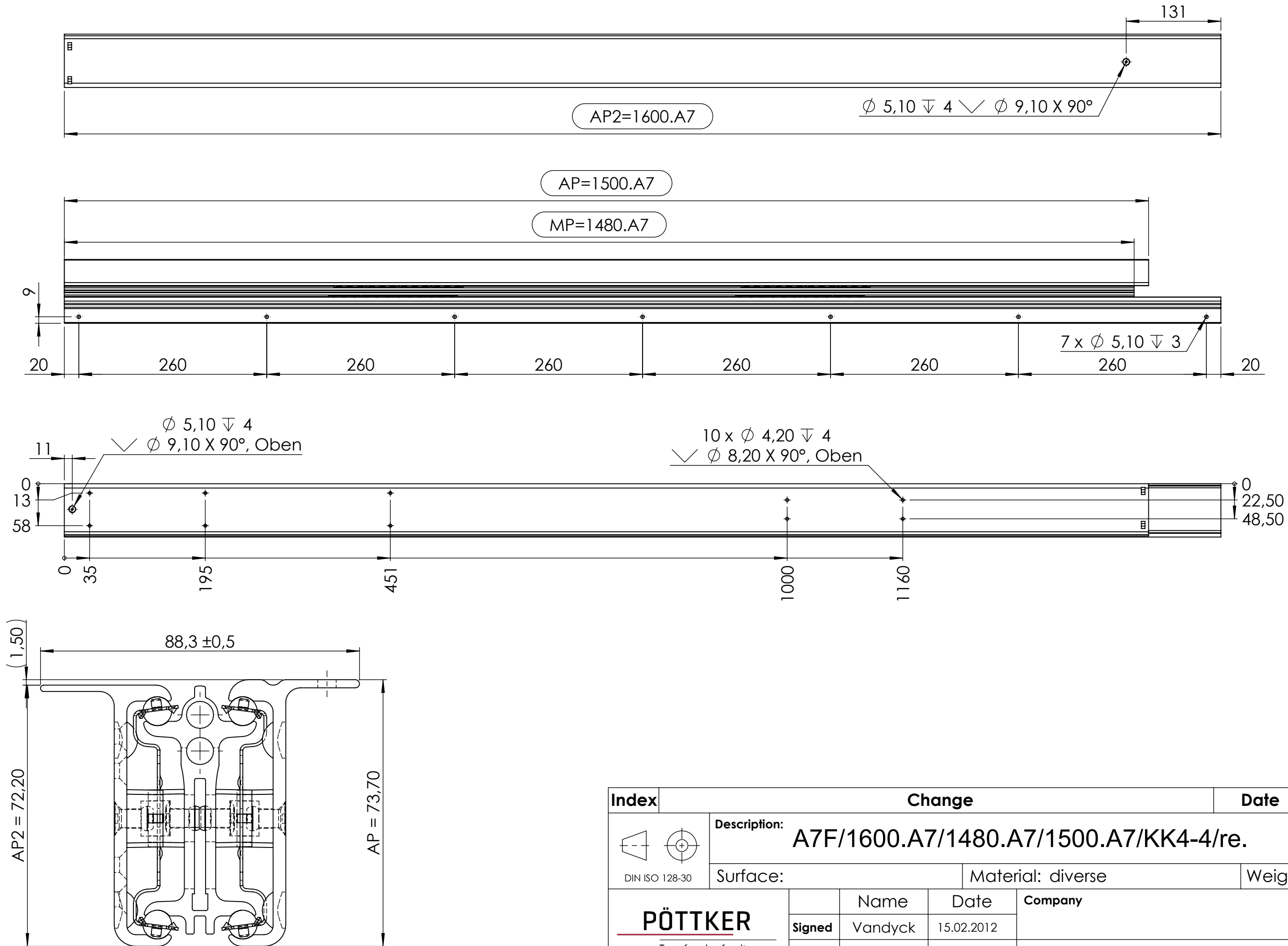
Surface:

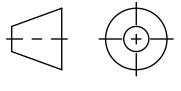

Material: diverse

Weight: 5.78 kg

PÖTTKER Transforming furniture		Name	Date	Company	
	Signed	Vandyck	15.02.2012		
	Tested	P. Vandyck	27.02.2018	Second Company:	
General tolerance: DIN ISO 2768 - m		Item No: 77160709	Scale 1:5	Page 3/6	A3

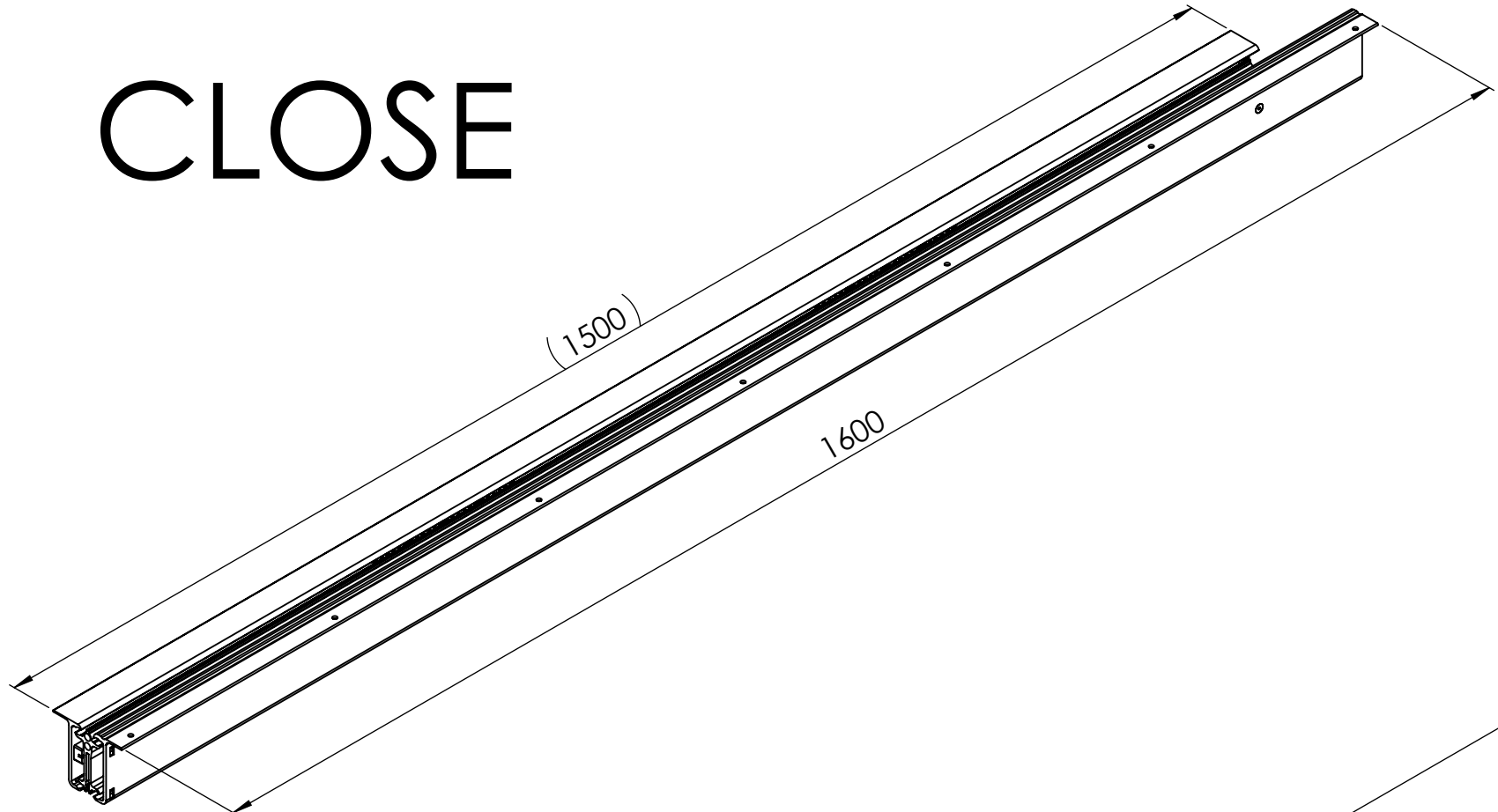
All property rights and rights to exploitation of copyright for this drawing data remain ours; they may not be made available to third parties without our consent.



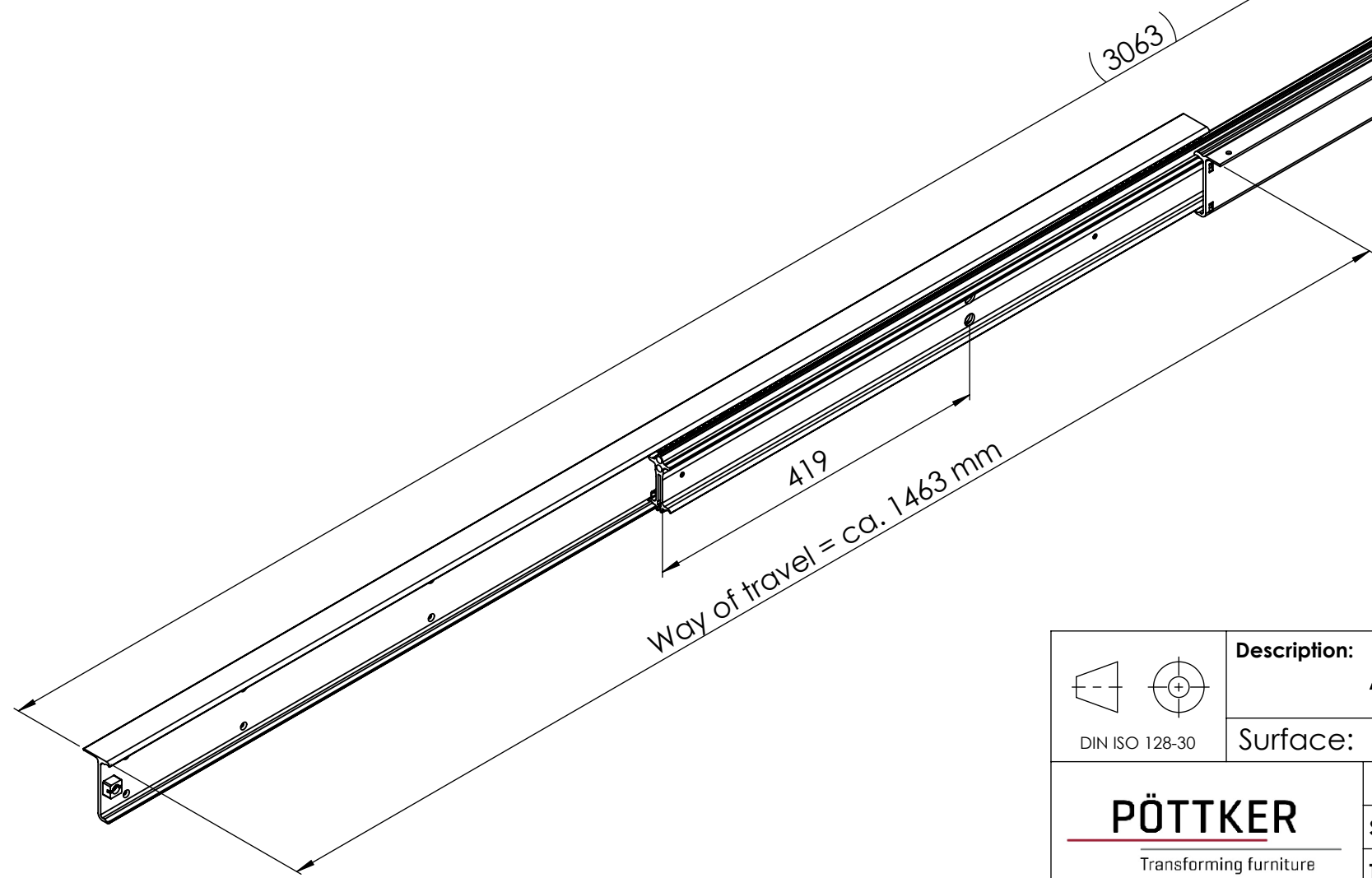
Index	Change			Date	Name	
 DIN ISO 128-30	Description: A7F/1600.A7/1480.A7/1500.A7/KK4-4/re.					
	Surface:			Material: diverse	Weight: 5.78 kg	
 PÖTTKER Transforming furniture	Name	Date	Company			
	Signed	Vandyck	15.02.2012			
	Tested	P. Vandyck	27.02.2018	Second Company:		
General tolerance: DIN ISO 2768 - m		Item No:	77160709	Scale	1:5	
			Page	4/6	A3	

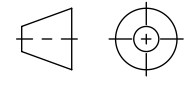

All property rights and rights to exploitation of copyright for this drawing data remain ours; they may not be made available to third parties without our consent.

CLOSE

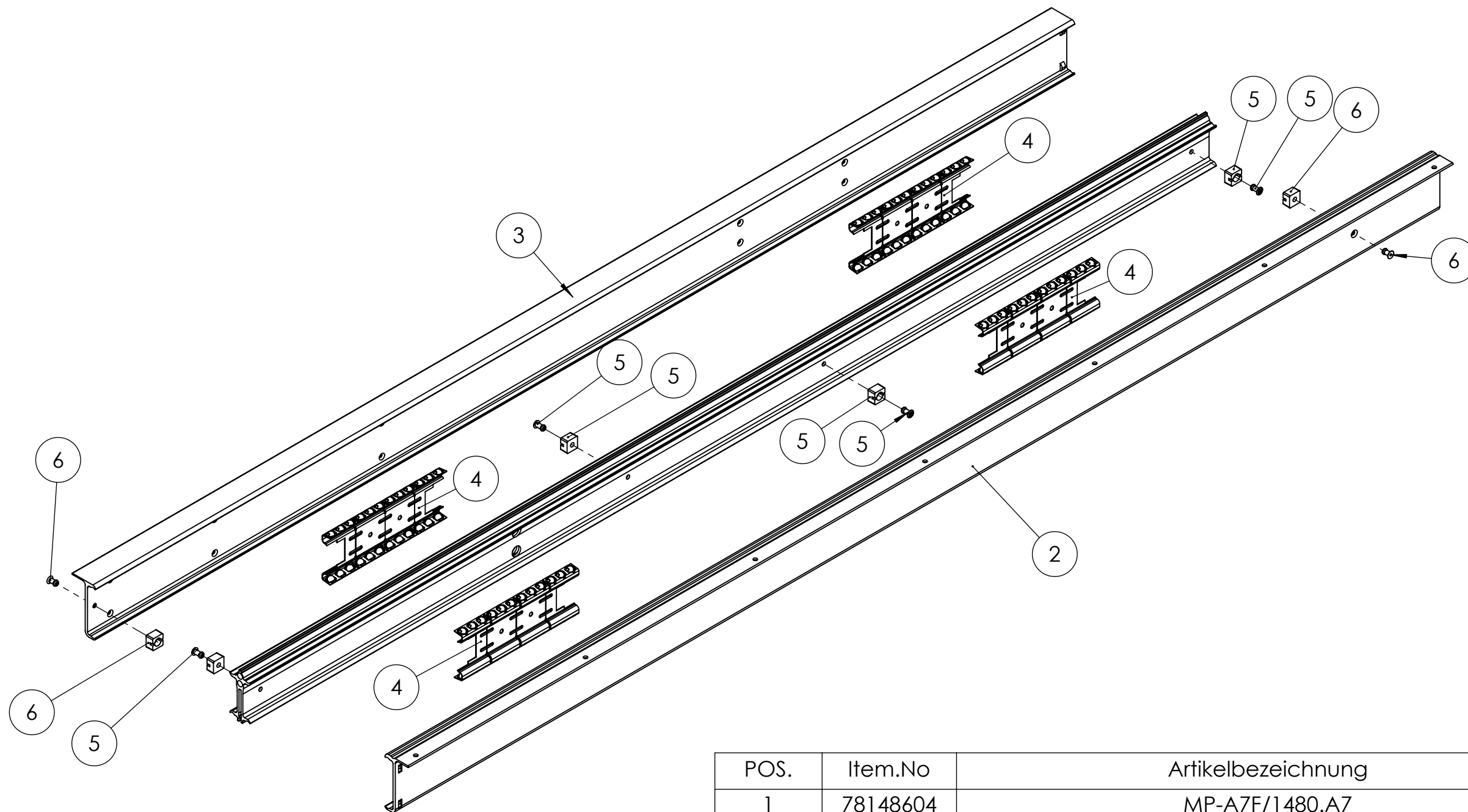


OPEN

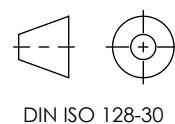


 DIN ISO 128-30	Description: A7F/1600.A7/1480.A7/1500.A7/KK4-4/re.				
	Surface:		Material: diverse		Weight: 5.78 kg
 PÖTTKER Transforming furniture	Signed	Name Vandyck	Date 15.02.2012	Company	
	Tested	P. Vandyck	27.02.2018	Second Company:	
	General tolerance: DIN ISO 2768 - m		Item No:	77160709	Scale 1:6
				A3	

All property rights and rights to exploitation of copyright for this drawing data remain ours; they may not be made available to third parties without our consent.



POS.	Item.No	Artikelbezeichnung	MENGE
1	78148604	MP-A7F/1480.A7	1
2	78160504	AP2-A7F/1600.A7/Typ01/re.	1
3	78150505	AP-A7F/1500.A7/Typ01/re.	1
4	78990335	KK77_4_Al-Al_Elox	4
5	15183	Würfelstopp-16x10x16+NT-FLKPF_Ø5x18_(12,0-14,0)	4
6	15501	Würfelstopp-16x10x16+NT-SEKPF_Ø5x12_(6,0-8,0)	2



DIN ISO 128-30

Description:

A7F/1600.A7/1480.A7/1500.A7/KK4-4/re.

Surface:

Material: diverse

Weight: 5.78 kg

PÖTTKER Transforming furniture		Name	Date	Company	
	Signed	Vandyck	15.02.2012		
	Tested	P. Vandyck	27.02.2018	Second Company:	
General tolerance: DIN ISO 2768 - m		Item No: 77160709	Scale 1:5	Page 6/6	A3