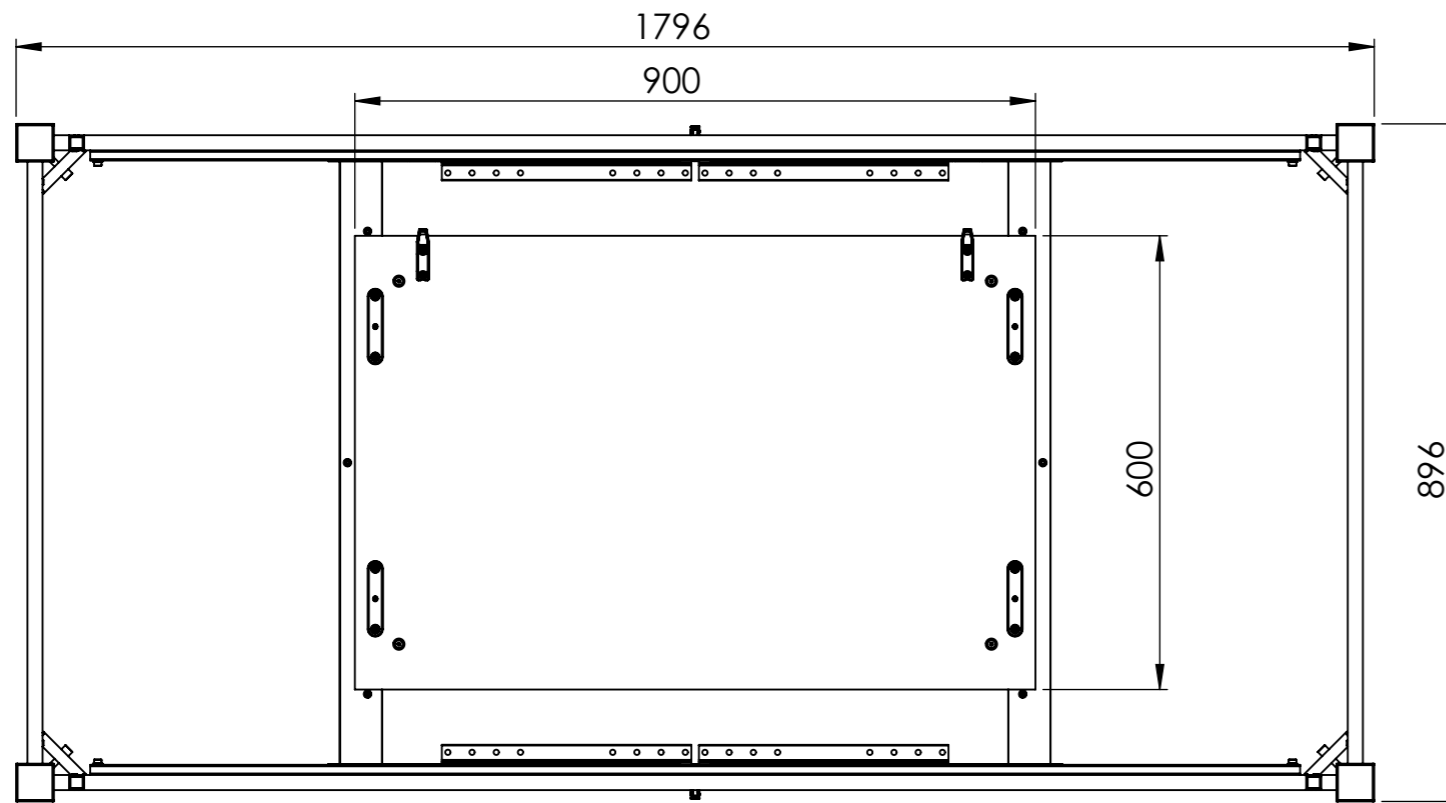
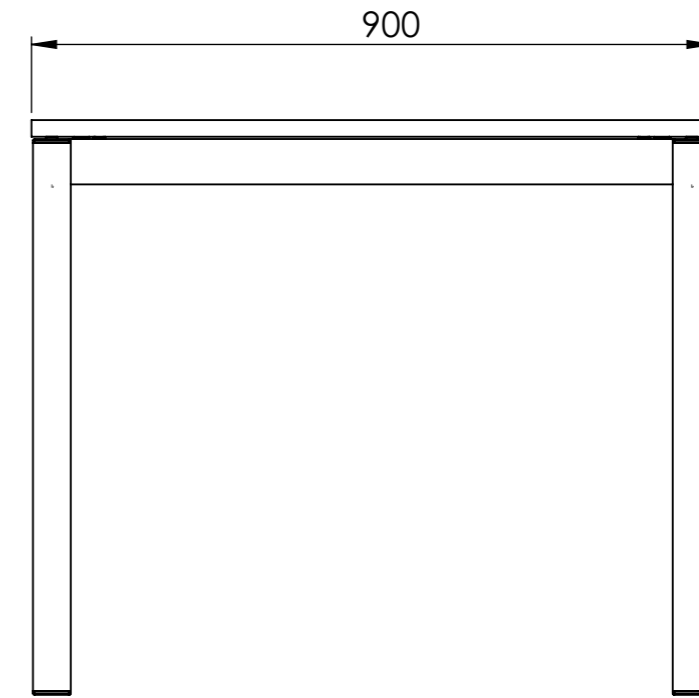
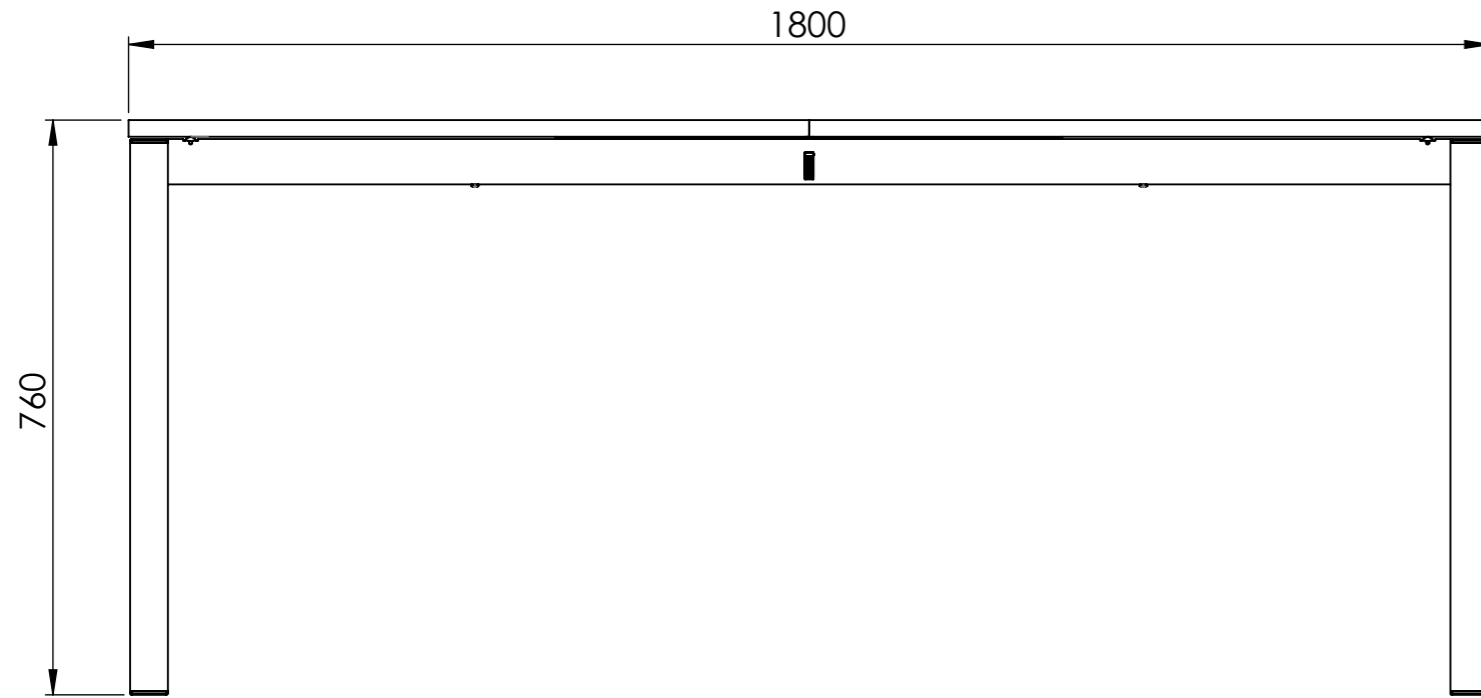
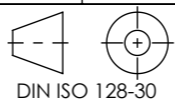
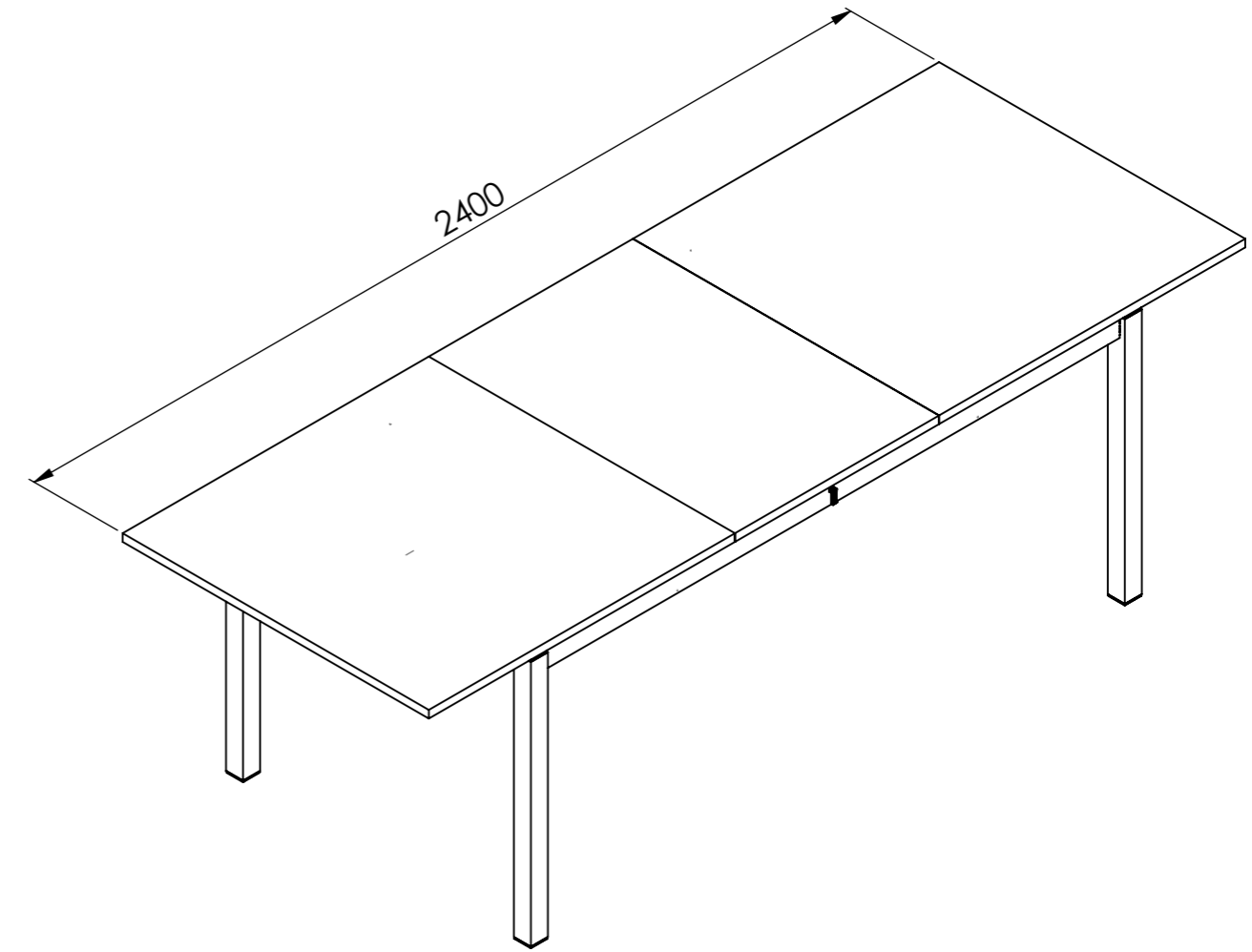
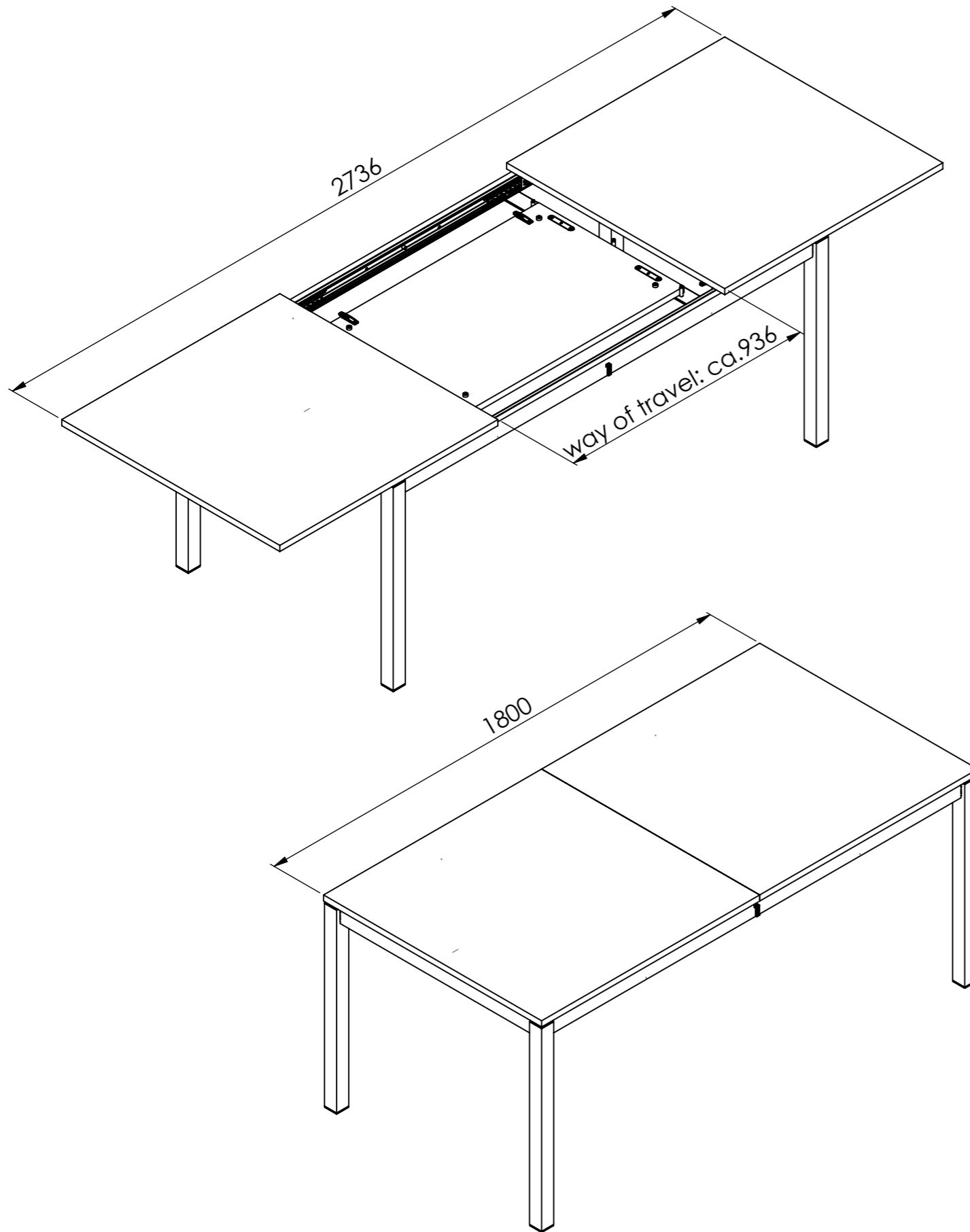


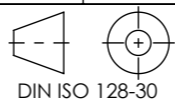
All property rights and rights to exploitation of copyright for this drawing data remain ours; they may not be made available to third parties without our consent.



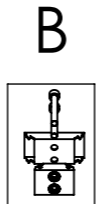
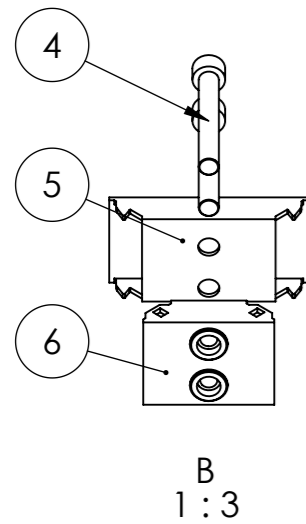
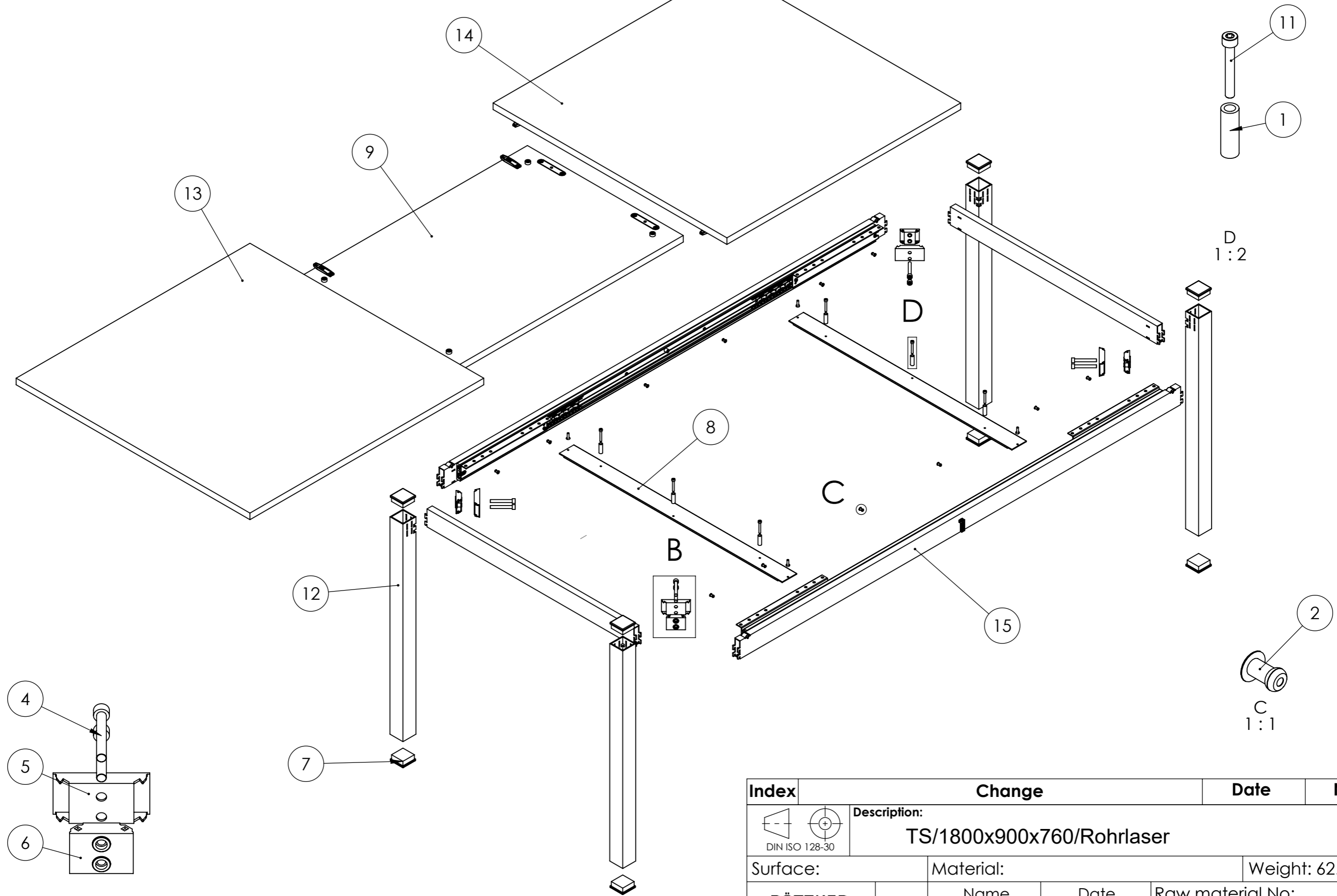
| Index | Change | | Date | Name |
|---|---------------------------|-----------|------------------|------------------|
|  DIN ISO 128-30 | Description: | | | |
| | TS/1800x900x760/Rohrlaser | | | |
| Surface: | | Material: | | Weight: 62.67 kg |
| PÖTTKER Transforming furniture | Name | Date | Raw material No: | |
| | Signed | J.Kußmann | 09.03.2023 | Company |
| General tolerance: DIN ISO 2768 - mK | | Tested | | |
| Item No: 2023-018-1000 | | | Scale 1:10 | Page 1 / 4 |
| | | | | A3 |


All property rights and rights to exploitation of copyright for this drawing data remain ours; they may not be made available to third parties without our consent.



| Index | Change | | Date | Name |
|---|-------------------------------|-----------|------------------|------------------|
|  DIN ISO 128-30 | Description: | | | |
| | TS/1800x900x760/Rohrlaser | | | |
| Surface: | | Material: | | Weight: 62.67 kg |
| PÖTTKER Transforming furniture | Name | Date | Raw material No: | |
| | Signed | J.Kußmann | 09.03.2023 | Company |
| General tolerance: DIN ISO 2768 - mK | Tested | | | |
| | Item No: 2023-018-1000 | | Scale 1:15 | Page 2 / 4 |

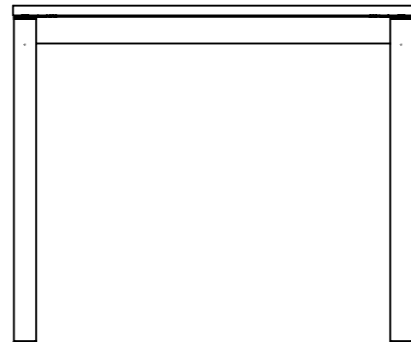
All property rights and rights to exploitation of copyright for this drawing data remain ours; they may not be made available to third parties without our consent.

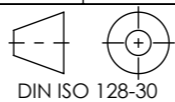



| Index | Change | | Date | Name |
|---|--|-----------|------------------|----------------------|
|  DIN ISO 128-30 | Description: TS/1800x900x760/Rohrlaser | | | |
| | Surface: | Material: | Weight: 62.67 kg | |
| PÖTTKER Transforming furniture | Name | Date | Raw material No: | |
| | Signed | J.Kußmann | 09.03.2023 | Company |
| General tolerance: DIN ISO 2768 - mK | Tested | | | |
| Item No: 2023-018-1000 | | | Scale 1:15 | Page 3 / 4 A3 |

All property rights and rights to exploitation of copyright for this drawing data remain ours; they may not be made available to third parties without our consent.

| POS. | Item.No | Artikelbezeichnung | Menge |
|------|---------------|--|-------|
| 1 | 15781 | Kunststoff Distanzhülse, Ø10xØ6,3x30mm | 6 |
| 2 | 16115 | Blindniet Flachrundkopf, Ø5x12-AL-A2_(6,0-8,0) | 12 |
| 3 | 17244 | SHR-FLKPF-ISO14583-A4/70-TX25-M5X16 | 4 |
| 4 | 17306 | Zyl.-Schraube+Inbus, M8x60-DIN 912-A2 | 8 |
| 5 | 2022-082-205 | Eckverbinder/40x15x2 | 4 |
| 6 | 2022-082-207 | UBG/Eckverbinder_innen/2xM8 | 4 |
| 7 | 2022-082-208 | Fußkappe/50x50x15,5 | 8 |
| 8 | 2023-018-1001 | Einlegeplatte-Flachprofil/858x56x5 | 2 |
| 9 | 2023-018-1300 | Einlegeplatte/900x600x22 | 1 |
| 10 | 2023-018-202 | End/Front-Profil/60x20x2x796 | 2 |
| 11 | 2023-018-213 | Zyl.-Schraube+Inbus, M5x35-DIN 912-A2 | 6 |
| 12 | 2023-018-214 | TB/V2/50x50x3x725 | 4 |
| 13 | 2023-018-3000 | Tischplatte/900x900x22/li. | 1 |
| 14 | 2023-018-3005 | Tischplatte/900x900x22/re. | 1 |
| 15 | 2023-018-2007 | A5BA-SB/1696x20x60x2/1600.A5.2/330.A5/KK13 | 2 |



| Index | Change | Date | Name |
|---|--|------------------|----------------------|
|  DIN ISO 128-30 | Description: TS/1800x900x760/Rohrlaser | | |
| Surface: | Material: | Weight: 62.67 kg | |
|  Transforming furniture | Name | Date | Raw material No: |
| | Signed | J.Kußmann | 09.03.2023 |
| General tolerance: DIN ISO 2768 - mK | Tested | | Company |
| Item No: 2023-018-1000 | | Scale 1:15 | Page 4 / 4 A3 |