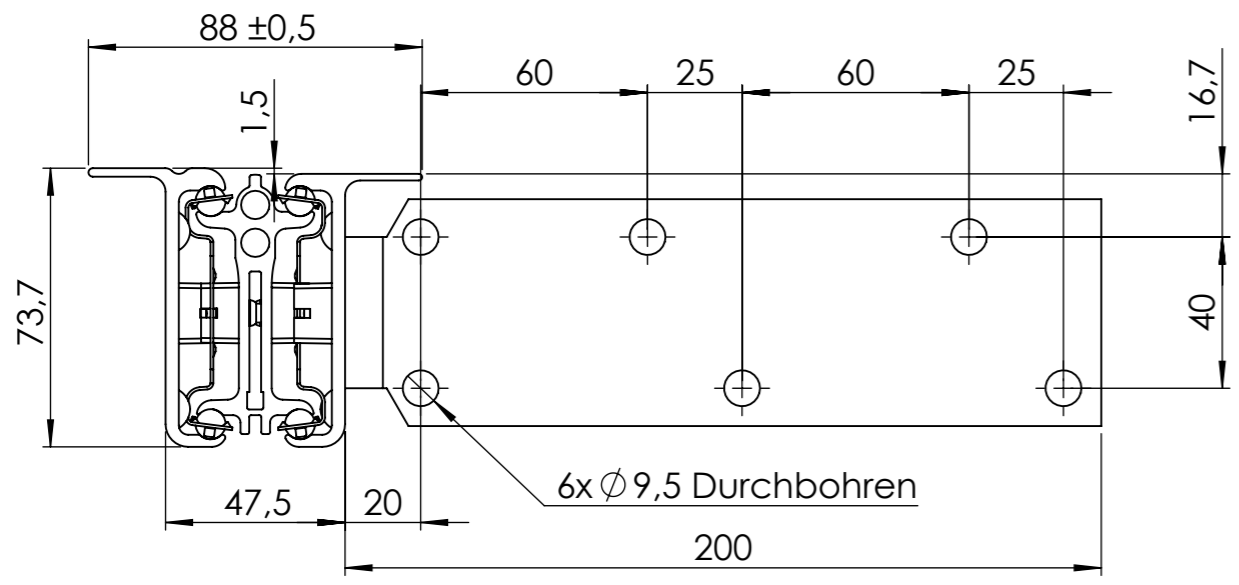
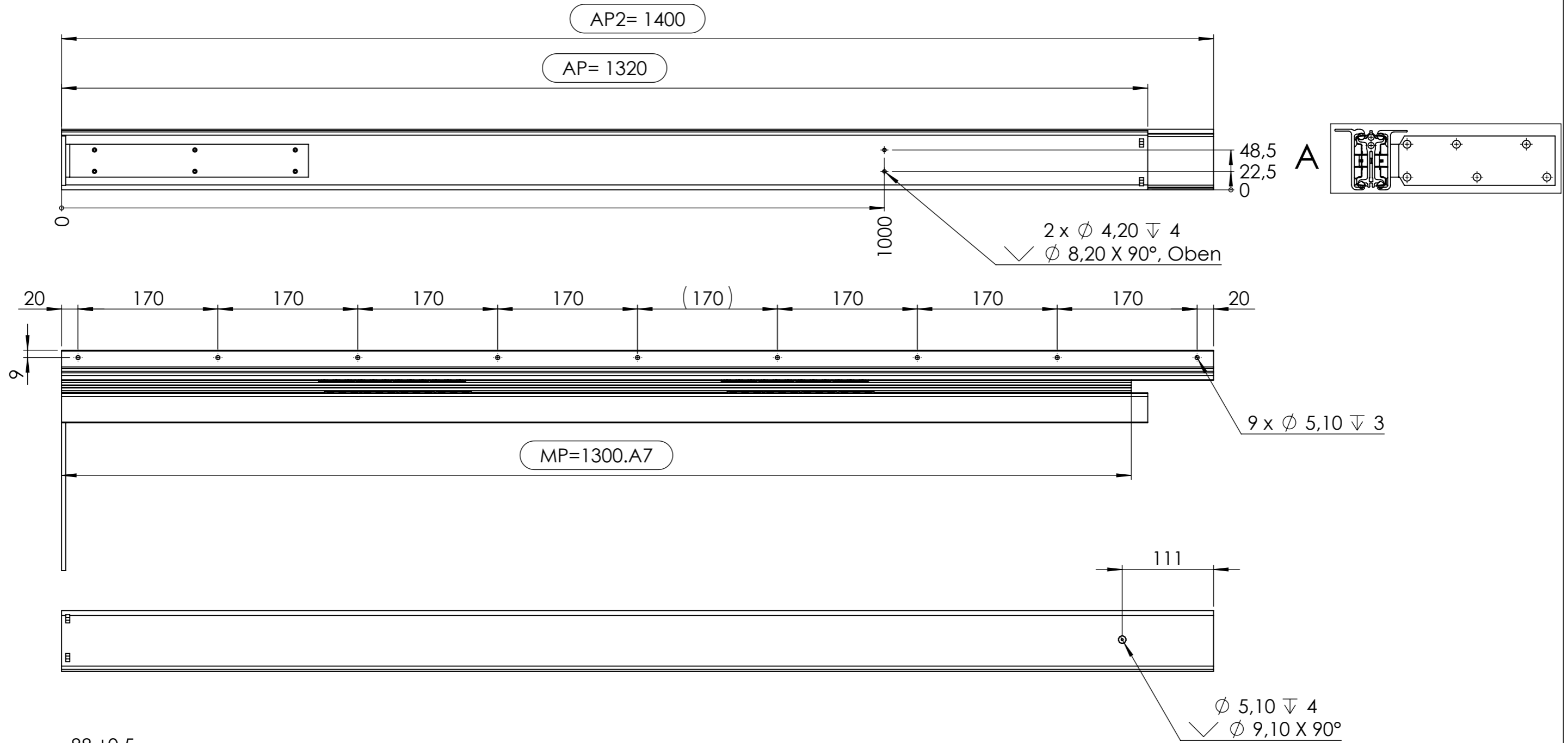
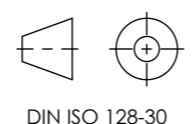


All property rights and rights to exploitation of copyright for this drawing data remain ours; they may not be made available to third parties without our consent.



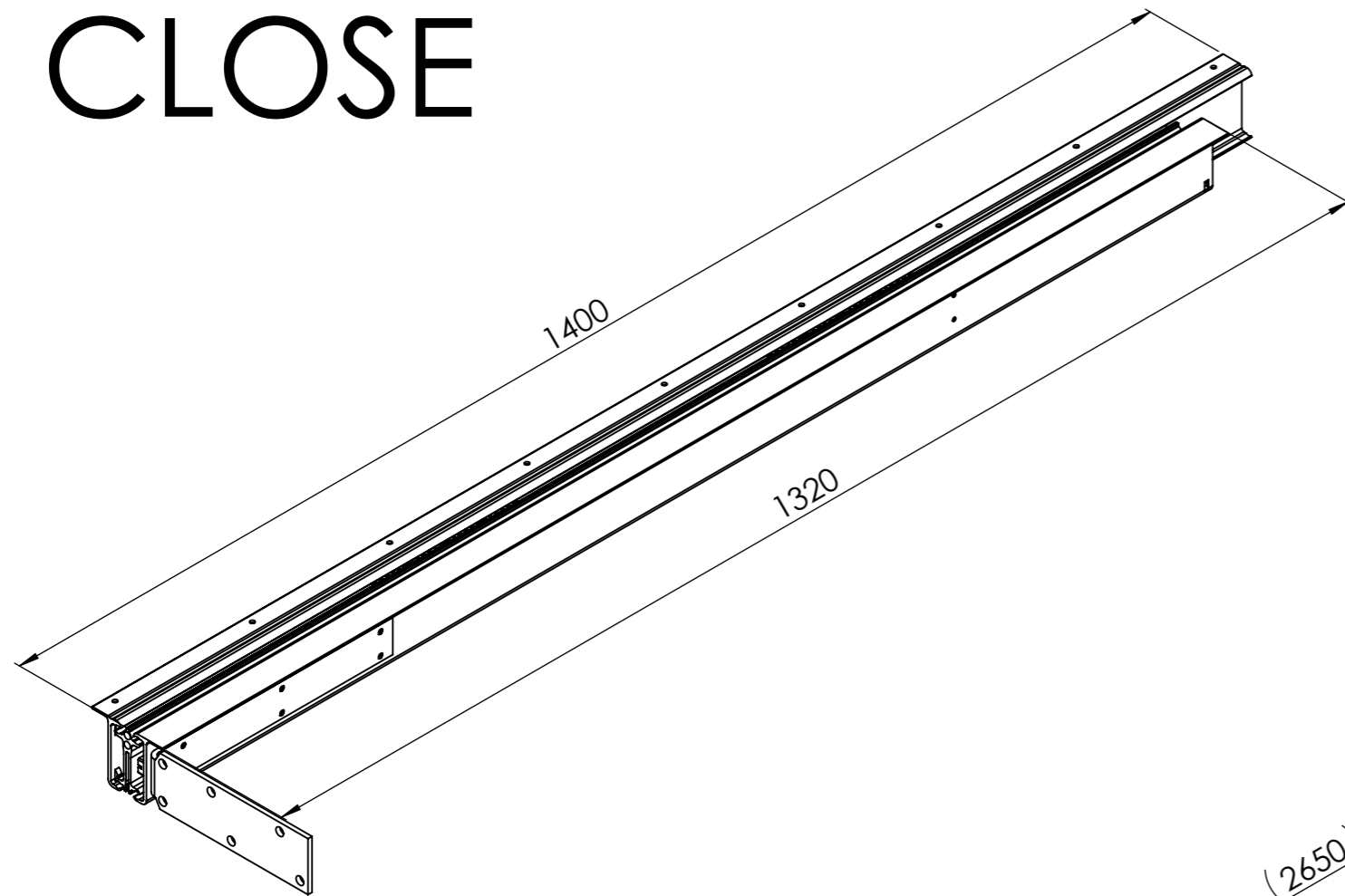
A 1 : 2

way of travel : ca. 1250mm

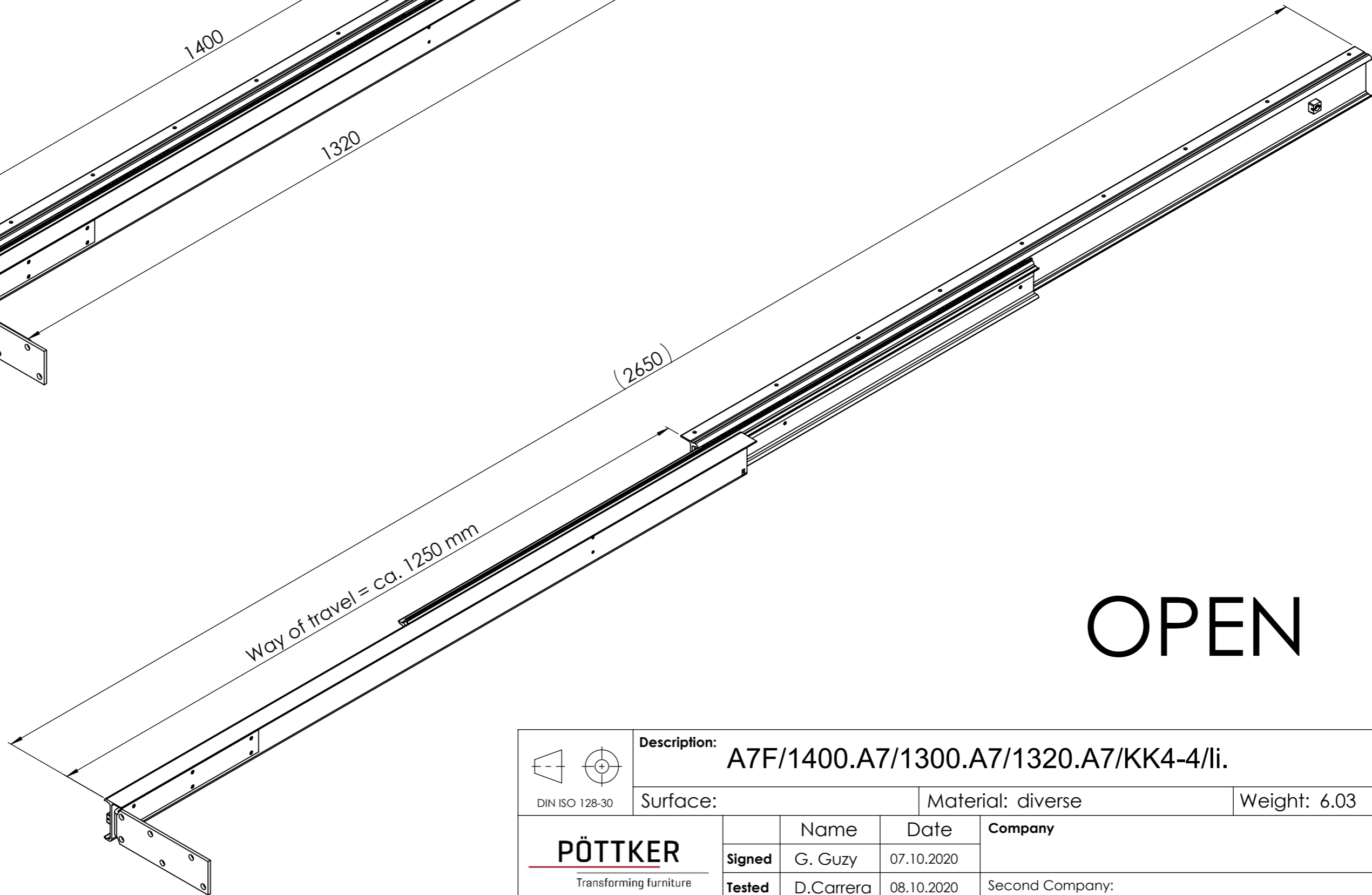
Index	Change			Date	Name
 DIN ISO 128-30	Description: A7F/1400.A7/1300.A7/1320.A7/KK4-4/li.				
	Surface:		Material: diverse		Weight: 6.03 kg
PÖTTKER Transforming furniture	Name	Date	Company		
	Signed	G. Guzy	07.10.2020		
	Tested	D.Carrera	08.10.2020	Second Company:	
General tolerance: DIN ISO 2768 - m		Item No:	77140805	Scale 1:5	Page 1/6
					A3

All property rights and rights to exploitation of copyright for this drawing data remain ours; they may not be made available to third parties without our consent.

CLOSE

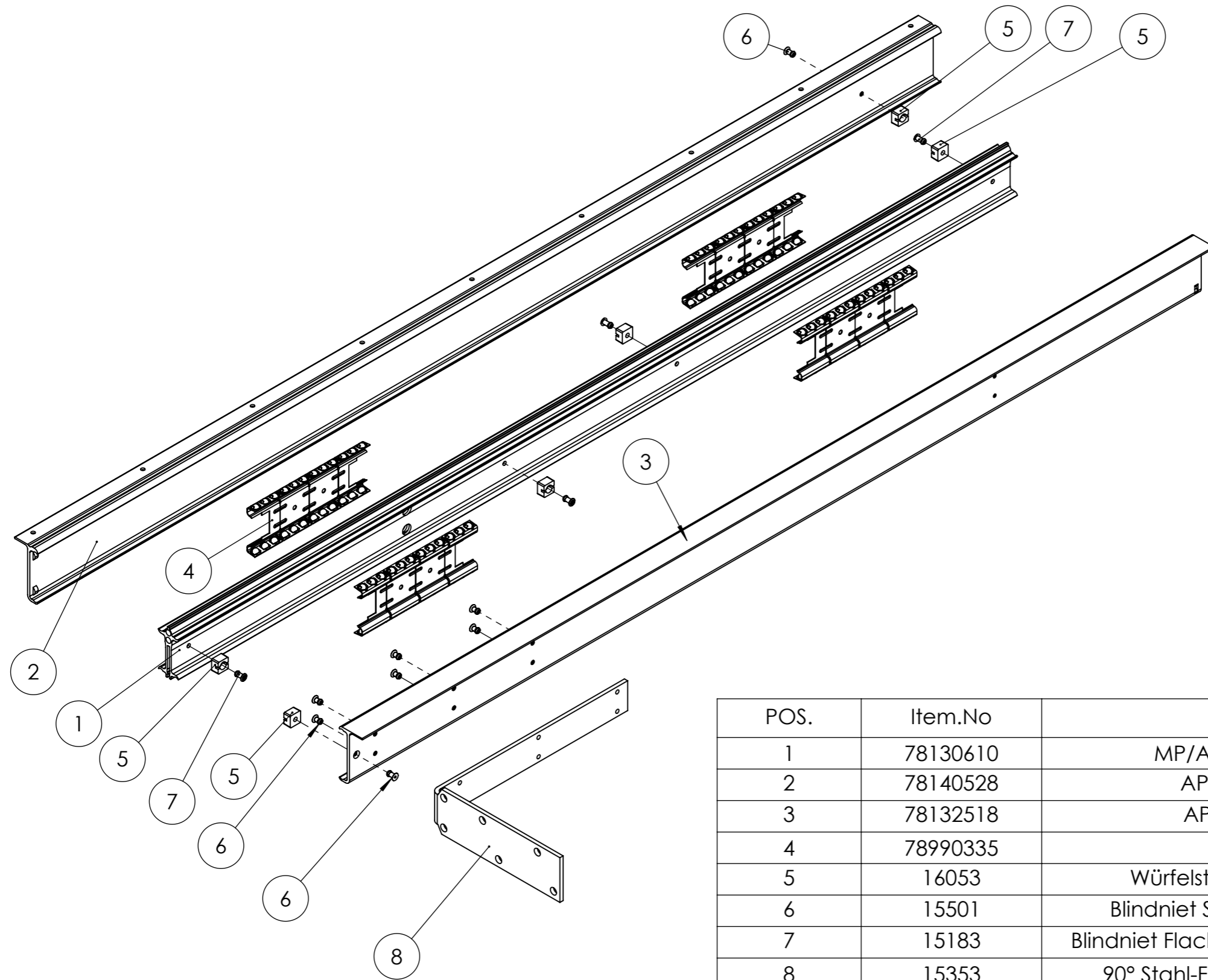


OPEN



 DIN ISO 128-30	Description: A7F/1400.A7/1300.A7/1320.A7/KK4-4/li.				
	Surface:		Material: diverse		Weight: 6.03 kg
PÖTTKER Transforming furniture	Name	Date	Company		
	Signed G. Guzy	07.10.2020	rowspan="2"> Second Company:		
	Tested D.Carrera	08.10.2020			
General tolerance: DIN ISO 2768 - m		Item No: 77140805	Scale 1:6	Page 2/6	A3

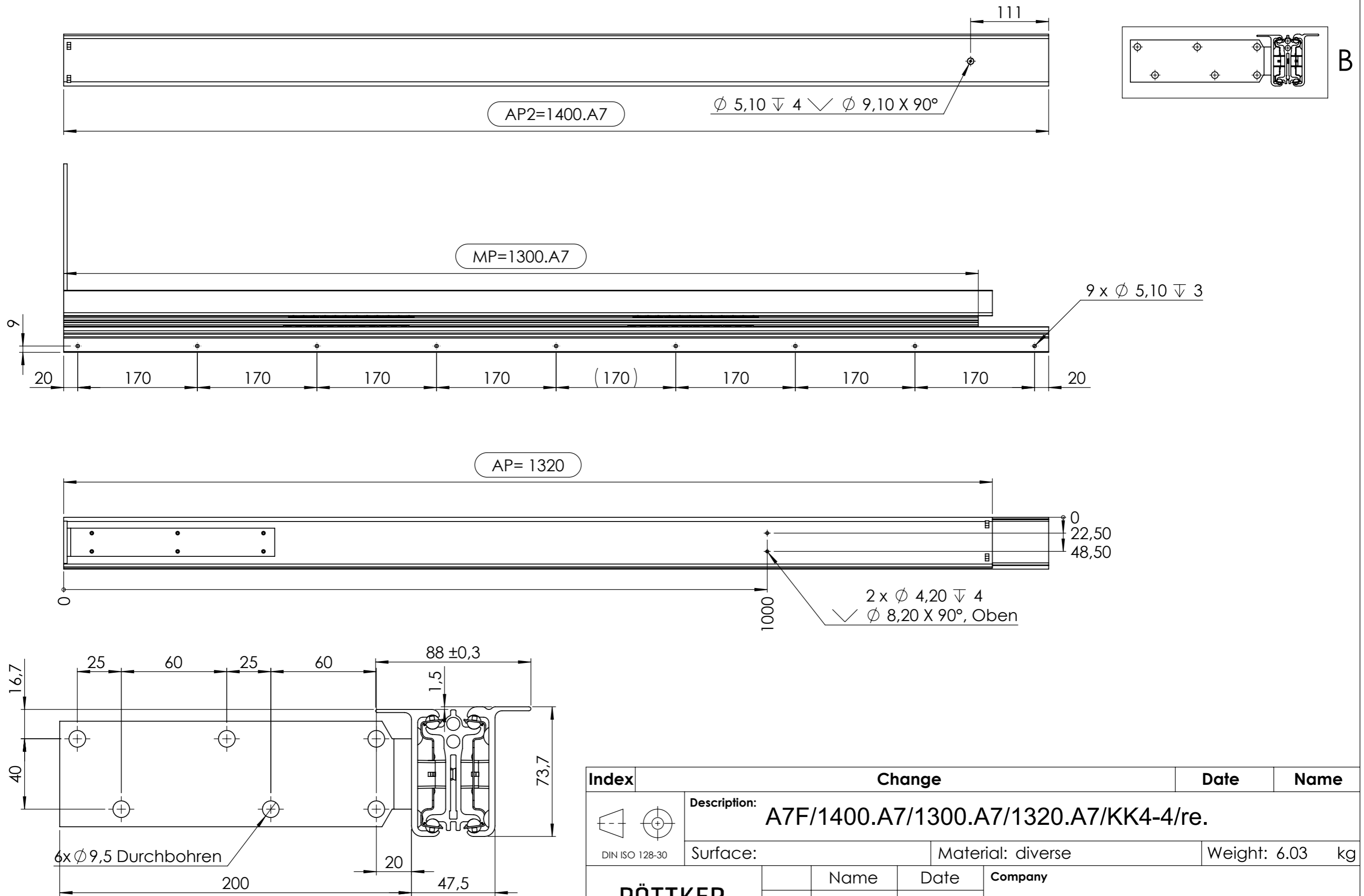
All property rights and rights to exploitation of copyright for this drawing data remain ours; they may not be made available to third parties without our consent.



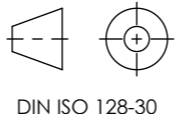
POS.	Item.No	Artikelbezeichnung	Menge
1	78130610	MP/A7F/1300.A7/4xØ5,1/2xØ13	1
2	78140528	AP2/A7F/1400.A7/Typ01/li.	1
3	78132518	AP/A7F/1320.A7/Typ01/li.	1
4	78990335	KK77_4_Al-Al_Elox	4
5	16053	Würfelstopp, 16x10x16/PA6.6-Plustek	6
6	15501	Blindniet Senkkopf, Ø5x12-AL/St.(6,0-8,0)	8
7	15183	Blindniet Flachrundkopf, Ø5x18-AL/St.(12,0-14,0)	4
8	15353	90° Stahl-Frontverbinder/300x5x40x60x200	1

Index	Change		Date	Name
 DIN ISO 128-30	Description: A7F/1400.A7/1300.A7/1320.A7/KK4-4/li.			
	Surface:		Material: diverse	
Weight: 6.03 kg				
 Transforming furniture	Signed	G. Guzy	07.10.2020	Company
	Tested	D.Carrera	08.10.2020	
	General tolerance: DIN ISO 2768 - m		Item No: 77140805	Scale 1:5

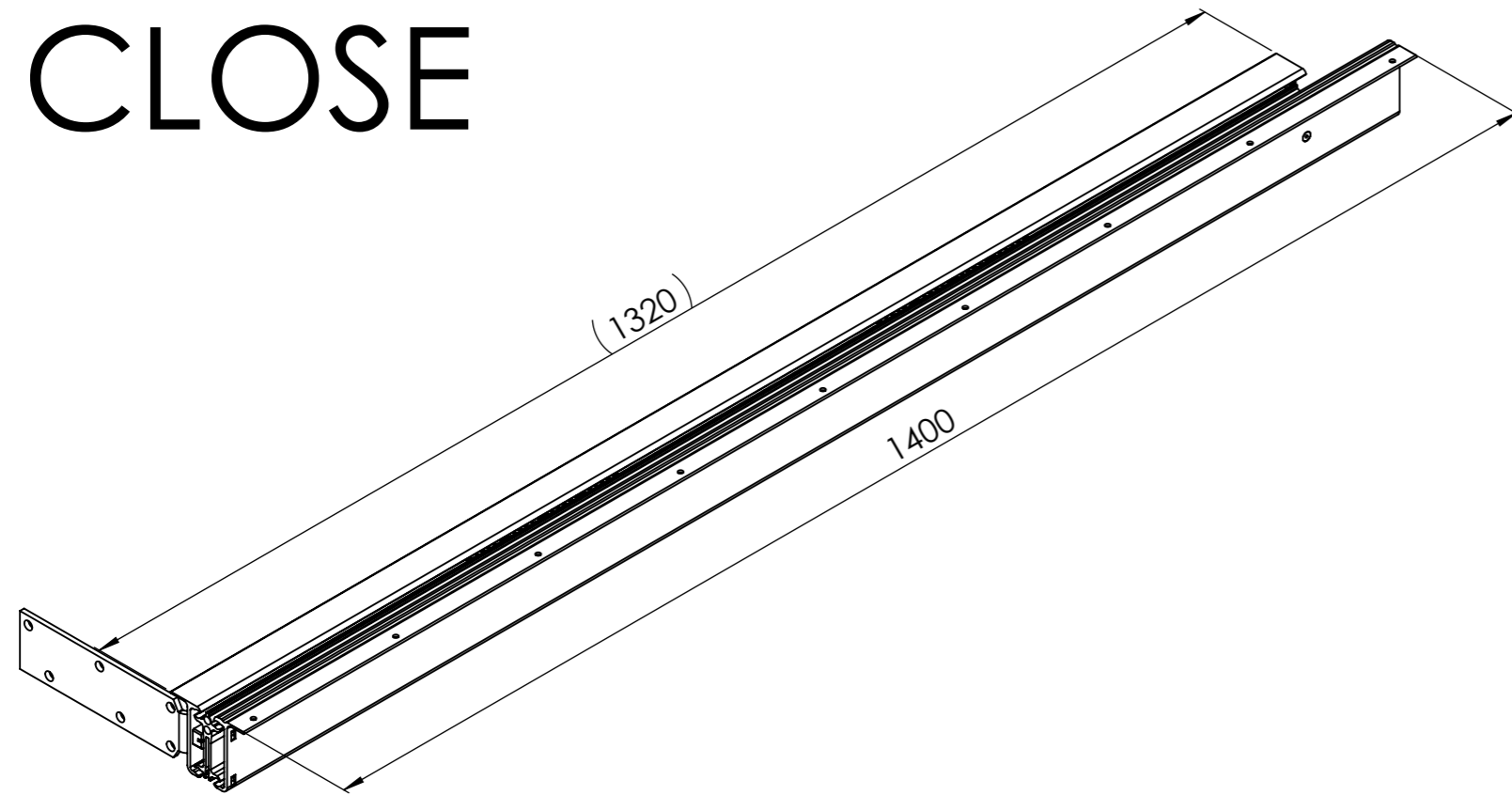
All property rights and rights to exploitation of copyright for this drawing data remain ours; they may not be made available to third parties without our consent.



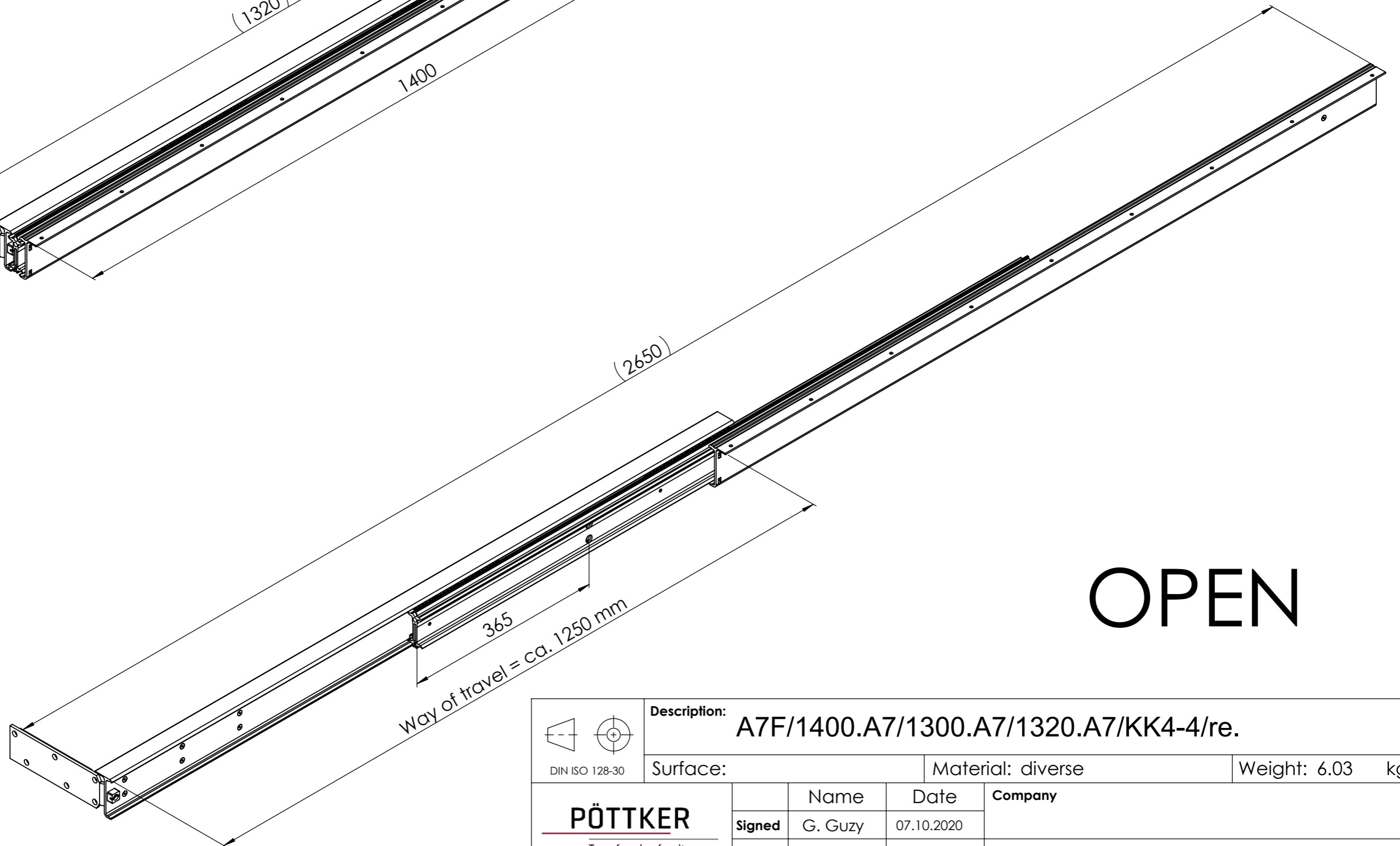
B 1 : 2 way of travel : ca. **1250**mm

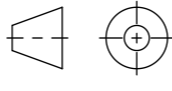
Index	Change			Date	Name
 DIN ISO 128-30	Description: A7F/1400.A7/1300.A7/1320.A7/KK4-4/re.				
	Surface:			Material: diverse	
PÖTTKER Transforming furniture	Name	Date	Company		
	Signed	G. Guzy	07.10.2020		
	Tested	D.Carrera	08.10.2020	Second Company:	
General tolerance: DIN ISO 2768 - m		Item No:	77140805	Scale 1:5	Page 4/6
					A3

CLOSE



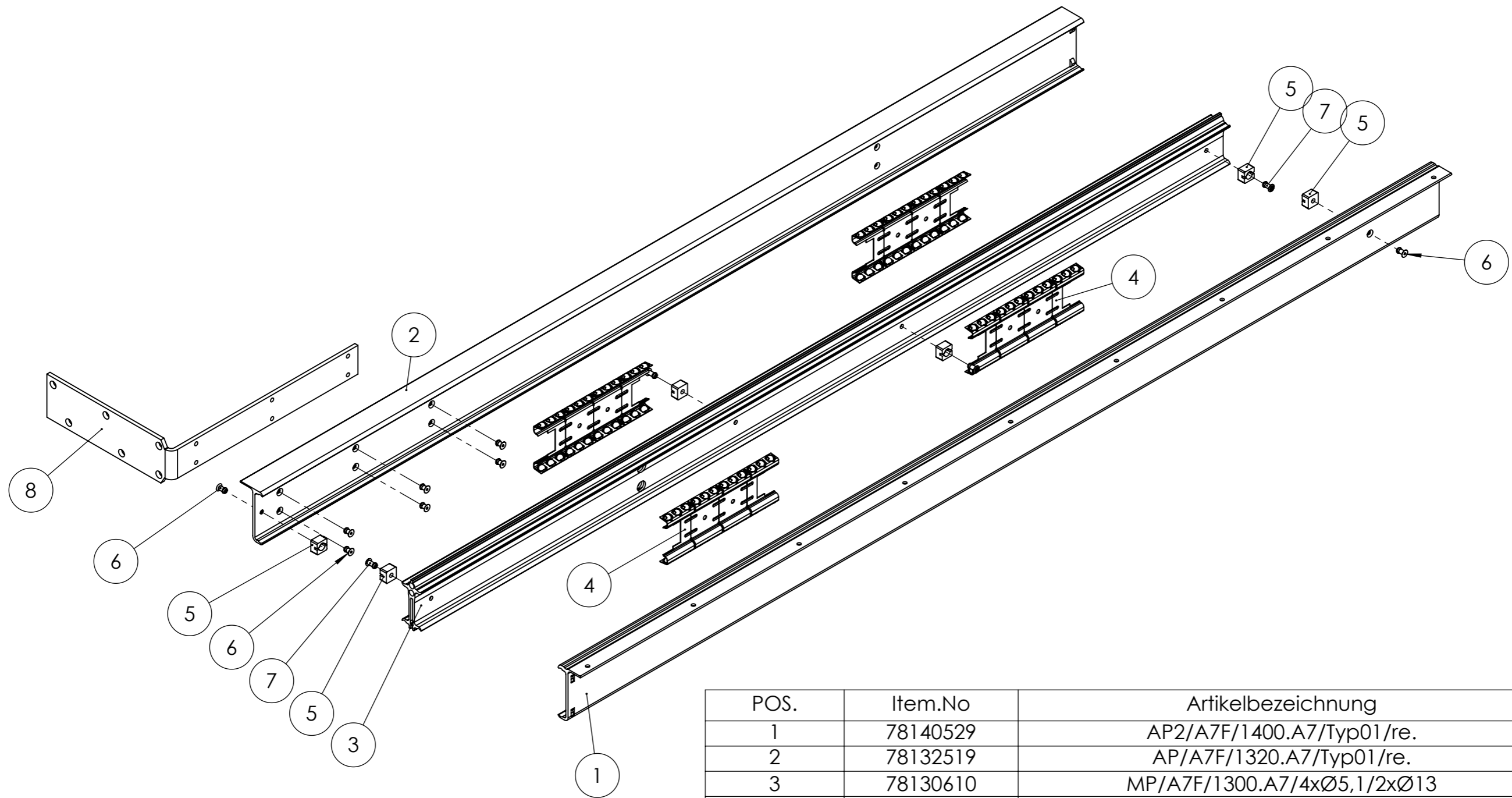
OPEN



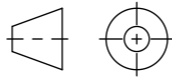

 DIN ISO 128-30	Description: A7F/1400.A7/1300.A7/1320.A7/KK4-4/re.				
	Surface:		Material: diverse		Weight: 6.03 kg
PÖTTKER Transforming furniture	Name	Date	Company		
	Signed	G. Guzy	07.10.2020	Second Company:	
	Tested	D.Carrera	08.10.2020		
General tolerance: DIN ISO 2768 - m		Item No: 77140805	Scale 1:6	Page 5/6	A3

All property rights and rights to exploitation of copyright for this drawing data remain ours; they may not be made available to third parties without our consent.

All property rights and rights to exploitation of copyright for this drawing data remain ours; they may not be made available to third parties without our consent.



POS.	Item.No	Artikelbezeichnung	Menge
1	78140529	AP2/A7F/1400.A7/Typ01/re.	1
2	78132519	AP/A7F/1320.A7/Typ01/re.	1
3	78130610	MP/A7F/1300.A7/4xØ5,1/2xØ13	1
4	78990335	KK77_4_Al-Al_Elox	4
5	16053	Würfelstopp, 16x10x16/PA6.6-Plustek	6
6	15501	Blindniet Senkkopf, Ø5x12-AL/St.(6,0-8,0)	8
7	15183	Blindniet Flachrundkopf, Ø5x18-AL/St.(12,0-14,0)	4
8	15353	90° Stahl-Frontverbinder/300x5x40x60x200	1

Index	Change		Date	Name
 DIN ISO 128-30	Description: A7F/1400.A7/1300.A7/1320.A7/KK4-4/re.			
	Surface:		Material: diverse	
 Transforming furniture		Name G. Guzy	Date 07.10.2020	Company Second Company:
Signed		D.Carrera	08.10.2020	
Tested				
General tolerance: DIN ISO 2768 - m		Item No: 77140805	Scale 1:5	Page 6/6